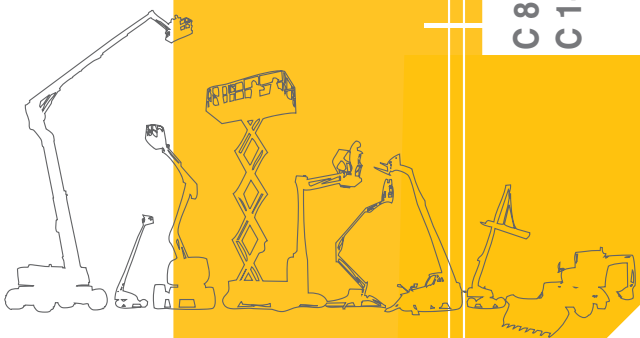


C 8 (C 2032E) - C 8W (C 2047E) - C 10 (C 2747E) - C 10N (C 2632E) - C 10N-1 - C 12 (C 3347E) -
C 14 (C 3947E) - C 10RTE (C 2668RTE) - C 12RTE (C 3368RTE)



Operator's manual

ELECTRIC SCISSOR LIFTS

C 8 (C 2032E) - C 8W (C 2047E) -
C 10 (C 2747E) - C 10N (C 2632E) - C 10N-1 -
C 12 (C 3347E) - C 14 (C 3947E) -
C 10RTE (C 2668RTE) - C 12RTE (C 3368RTE)

1 - Operator's manual	7
2 - After Sales Service	7
3 - Compliance	8
4 - HAULOTTE Services® contact details	9

A

SAFETY PRECAUTIONS

1 - Recommendations	11
1.1 - Operator's manual	11
1.2 - Symbols used	11
1.3 - Decal colors	12
2 - Pre-operation instructions	13
2.1 - General instructions	13
2.2 - Specific instructions	13
3 - Operation instructions	14
3.1 - Prohibitions	14
3.2 - Potential risks	15
3.2.1 - Risk of command system disturbance	15
3.2.2 - Risk of falling	15
3.2.3 - Risk of electrocution	16
3.2.4 - Risk of uncontrolled movement and overturning	17
3.2.5 - Risk of burns and explosion	19
3.2.6 - Risk of crushing and collision	20

B

INTERVENOR'S RESPONSIBILITY

1 - Owner's (or hirer's) responsibility	21
2 - Employer's responsibility	21
3 - Trainer's responsibility	21
4 - Operator's responsibility	21
5 - Inspection and maintenance	22

CONTENTS



C

MACHINE LAYOUT

- 1 - Identification 23**
- 2 - Main components 24**
- 3 - Safety devices 26**
 - 3.1- Sliding (or swinging) intermediate guardrail 26
 - 3.2- Anchorage point (Please see machine configuration) 27
 - 3.3- Maintenance support 28
 - 3.4- Folding guardrails - Option 28
- 4 - Decals 29**
 - 4.1- Decals and markings locations 29
- 5 - Control boxes 51**
 - 5.1- Ground control box - Emergency control box 51
 - 5.2- Platform control box 53

D

OPERATING PRINCIPLE

- 1 - Description 59**
- 2 - Safety devices 60**
 - 2.1- Activation of controls 60
 - 2.2- Drive speed 60
 - 2.3- Anti-crush system when lowering 61
 - 2.4- Thermostat location / limitation 61
 - 2.5- Load limiting in the platform (if fitted) 62
 - 2.6- Chassis tilt 62
 - 2.7- Pothole protection system 62
 - 2.8- Battery discharge indicator-Hour meter 63
 - 2.8.1- Hour meter 64
 - 2.8.2- Automatic reset 64
 - 2.9- On-board charger 64
 - 2.10- manual extension 65
 - 2.11- Drive buzzer 65



E

DRIVING

- 1 - Recommendations 67**
- 2 - Checks before use 67**
 - 2.1- Visual inspections 68
 - 2.1.1- General mechanical functions 68
 - 2.1.2- Environment 70
 - 2.2- Functional tests 70
 - 2.2.1- Safety features 70
 - 2.2.2- Ground box controls (emergency station) 70
 - 2.2.3- Platform box controls (driving station) 71
 - 2.3- Periodical checks 71
 - 2.4- Repairs and adjustments 71
 - 2.5- Inspection / Testing requirements 72
- 3 - Operation 73**
 - 3.1- Test procedure 73
 - 3.1.1- E-stop switch- button function (cut out) 73
 - 3.1.2- Tilt sensor switch operation 74
 - 3.1.3- Visual and sound alarms 75
 - 3.1.4- Weighing system 75
 - 3.1.5- 8 m(26 ft3 in) drive cut-off (Floor height) 76
 - 3.2- Operation from ground position 77
 - 3.2.1- Machine start-up 77
 - 3.2.2- Machine shutdown 77
 - 3.2.3- Movement control 77
 - 3.2.4- Other controls 78
 - 3.3- Operations from the platform 79
 - 3.3.1- Machine start-up 79
 - 3.3.2- Machine shutdown 79
 - 3.3.3- Movement control 79
 - 3.3.4- Other controls 81

F

SPECIAL PROCEDURE

- 1 - Emergency lowering 83**
 - 1.1- Principle 83
 - 1.2- Procedure 83
 - 1.3- Extraordinary procedure 84
- 2 - Towing 85**
 - 2.1- Manual brake release 85
 - 2.2- Automatic brake release (Option) 86
- 3 - Loading and unloading 87**
 - 3.1- Principle 87
 - 3.1.1- Loading and unloading 87
 - 3.1.2- Unloading 87
 - 3.1.3- Lifting operation 88
 - 3.1.3.1- Safety precautions 88
 - 3.1.3.2- Preliminary procedures 88
 - 3.1.3.3- Loading and unloading with forklift 89
 - 3.1.3.4- For: COMPACT 8 (C 2032E) - COMPACT 10N (C 2632E) 90
 - 3.1.3.5- For: COMPACT 8W (C 2047E) - COMPACT 10 (C 2747E) - COMPACT 12 (C 3347E) - COMPACT 14 (C 3947E) 92
 - 3.2- Putting in transport position 94
- 4 - Panel carrier 96**
 - 4.1- Description 96
 - 4.2- Characteristics 96
 - 4.3- Safety precautions 96
 - 4.4- Pre-operation inspection 97
 - 4.5- Operation 97
 - 4.6- Disassembly - Assembly 98
 - 4.7- Specific decals 99

CONTENTS



G

TECHNICAL SPECIFICATIONS

1 - Main characteristics	101
2 - Overall dimensions	118
3 - Working area / Range of motion	122
3.1- Machine C8 (COMPACT 2032E)	122
3.2- Machine C8W (COMPACT 2047E)	123
3.3- Machine C10N (COMPACT 2632E)	124
3.4- Machine C10 (COMPACT 2747E)	125
3.5- Machine C12 (COMPACT 3347E)	126
3.6- Machine C12 (COMPACT 3347E) (Japan)Japan	127
3.7- Machine C14 (COMPACT 3947E)	128
3.8- Machine COMPACT 10RTE (COMPACT 2668RTE)	129
3.9- Machine COMPACT 12RTE (COMPACT 3368RTE)	130
4 - AS - CE standard specificities	131
4.1- Overload test	131
4.2- Functional test	131
4.3- Stability test	132
5 - Declaration of conformity	140

H

INTERVENTION REGISTER

1 - Intervention register	143
--	------------



You have just purchased a HAULOTTE® product and we would like to thank you for your business.

1 - Operator's manual

As stated on the delivery slip, this manual is one of the documents in the on-board document holder provided upon delivery of your HAULOTTE® machine.

The operator manual is a translation of the original instructions.

Safe operation of this product can only be assured if you follow the operating instructions contained in this manual are followed.

We would particularly like to draw your attention to 2 essential points :

- Compliance with safety instruction (machine, use, environment)
- Use of the equipment within the performance limits.



With regard to the designation of our equipment, we stress that this is purely for commercial purposes and not to be confused with the technical specifications. Only the specifications in this manual should be used to study the suitability of the equipment for the intended use.

2 - After Sales Service

Our HAULOTTE Services® After Sales Service is at your disposal throughout your machine's service life to ensure the optimum use of your HAULOTTE product.

- When contacting our After Sales Service, ensure that you provide the machine model and serial number.
- When ordering any consumables or spare parts, please use this manual and the Haulotte Essential catalogue to receive your genuine HAULOTTE spare parts, your only guarantee of parts interchangeability and correct machine operation..
- If there is an equipment malfunction involving a HAULOTTE® product, then contact HAULOTTE Services® immediately even if the malfunction does not involve material and/or bodily damage..
- HAULOTTE® must be informed in the event of an incident that either involves one of these products or has caused bodily injury or significant deterioration of property (personal property or the product); contact HAULOTTE Services® immediately (See : HAULOTTE Services® contact details)

3 - Compliance

We would like to remind you that HAULOTTE® complies with the provisions of any applicable directives applicable to this type of machine.

HAULOTTE advises you that NO modifications carried out without the written permission of HAULOTTE® will void the HAULOTTE warranty..

HAULOTTE® cannot be held liable for any changes to the technical characteristics/specifications contained in this manual.

HAULOTTE® reserves the right to alter technical specifications and to make improvements or modifications to the machine without modifying this manual.



Certain options can modify the machine's operating characteristics and its associated safety. If your machine was originally delivered with options fitted, replacing a safety component associated with a particular options not require any particular precautions other than those associated with the installation itself (static test).

Otherwise, it is essential to follow the manufacturer's recommendations as stated below :

- **Installation by authorised HAULOTTE® personnel only.**
- **Update the manufacturer's identification plate.**
- **Have stability tests carried out by a certified agency/competent person.**
- **Ensure decal compliance.**

4 - HAULOTTE Services® contact details

HAULOTTE Services® contact details

	<p>HAULOTTE FRANCE PARC DES LUMIERES 601 RUE NICEPHORE NIEPCE 69800 SAINT-PRIEST TECHNICAL Department: +33 (0)820 200 089 SPARE PARTS : +33 (0)820 205 344 FAX : +33 (0)4 72 88 01 43 E-mail : haulottefrance@haulotte.com www.haulotte.fr</p>		<p>HAULOTTE ITALIA VIA LOMBARDIA 15 20098 SAN GIULIANO MILANESE (MI) TEL: +39 02 98 97 01 FAX: +39 02 9897 01 25 E-mail : haulotteitalia@haulotte.com www.haulotte.it</p>		<p>HAULOTTE INDIA Unit No. 1205, 12th floor, Bhumiraj Costarica, Plot No. 1&2, Sector 18, Palm Beach Road, Sanpada, Navi Mumbai- 400 705 Maharashtra, INDIA Tel. : +91 22 66739531 to 35 E-mail : sray@haulotte.com www.haulotte.in</p>
	<p>HAULOTTE HUBARBEITSBÜHNEN GmbH Ehrenkirchener Strasse 2 D-79427 ESCHBACH TEL : +49 (0) 7634 50 67 - 0 FAX : +49 (0) 7634 50 67 - 119 E.mail : haulotte@de.haulotte.com www.haulotte.de</p>		<p>HAULOTTE VOSTOK 61A, RYABINOVAYA STREET Bldg. 3 121471 MOSCOW RUSSIA TEL/FAX : +7 495 221 53 02 / 03 E.mail : info@haulottévostok.ru www.haulotte-international.com</p>		<p>HAULOTTE DO BRASIL AV. Tucunaré, 790 CEP: 06460-020 – TAMBORÉ BARUERI – SAO PAULO – BRASIL TEL : +55 11 4196 4300 FAX : +55 11 4196 4316 E.mail : haulotte@haulotte.com.br www.haulotte.com.br</p>
	<p>HAULOTTE IBERICA C/ARGENTINA Nº 13 - P.I. LA GARENA 28806 ALCALA DE HENARES MADRID TEL : +34 902 886 455 TEL SAT : +34 902 886 444 FAX : +34 911 341 844 E.mail : iberica@haulotte.com www.haulotte.es</p>		<p>HAULOTTE POLSKA Sp. Z.o.o. UL. GRANICZNA 22 05-090 RASZYN - JANKI TEL : +48 22 720 08 80 FAX : +48 22 720 35 06 E-mail : haulottepolska@haulotte.com www.haulotte.pl</p>		<p>HAULOTTE MÉXICO, Sa de Cv Calle 9 Este, Lote 18, Cívac, Jiutepec, Morelos CP 62500 Cuernavaca México TEL : +52 77 7321 7923 FAX : +52 77 7516 8234 E-mail : haulotte.mexico@haulotte.com www.haulotte-international.com</p>
	<p>HAULOTTE PORTUGAL ESTRADA NACIONAL NUM. 10 KM. 140 - LETRA K 2695 - 066 BOBADELA LRS TEL : + 351 21 995 98 10 FAX : + 351 21 995 98 19 E.mail : haulotteportugal@haulotte.com www.haulotte.es</p>		<p>HAULOTTE SINGAPORE Pte Ltd. No.26 CHANGI NORTH WAY, SINGAPORE 498812 Parts and service Hotline: +65 6546 6150 FAX : +65 6536 3969 E-mail : haulotteasia@haulotte.com www.haulotte.sg</p>		<p>HAULOTTE MIDDLE EAST FZE PO BOX 293881 Dubai Airport Free Zone DUBAI United Arab Emirates TEL : +971 (0)4 299 77 35 FAX : +971 (0) 4 299 60 28 E-mail : haulottemiddle-east@haulotte.com www.haulotte-international.com</p>
	<p>HAULOTTE SCANDINAVIA AB Taljegårdsgatan 12 431 53 Mölndal SWEDEN TEL : +46 31 744 32 90 FAX : +46 31 744 32 99 E-mail : info@se.haulotte.com spares@se.haulotte.com www.haulotte.se</p>		<p>HAULOTTE TRADING (SHANGHAI) Co. Ltd. #7 WORKSHOP No 191 HUA JIN ROAD MIN HANG DISTRICT SHANGHAI 201108 CHINA TEL : +86 21 6442 6610 FAX : +86 21 6442 6619 E-mail : haulotteshanghai@haulotte.com www.haulotte.cn</p>		<p>HAULOTTE ARGENTINA Ruta Panamericana Km. 34,300 (Ramal A Escobar) 1615 Gran Bourg (Provincia de Buenos Aires) Argentina TEL.: +54 33 27 445991 FAX. +54 33 27 452191 E-mail : haulotteargentina@haulotte.com www.haulotte-international.com</p>
	<p>HAULOTTE UK Ltd STAFFORD PARK 6 TELFORD - SHROPSHIRE TF3 3AT TEL : +44 (0)1952 292753 FAX : + 44 (0)1952 292758 E.mail : salesuk@haulotte.com www.haulotte.co.uk</p>		<p>HAULOTTE GROUP / BILJAX 125 TAYLOR PARKWAY ARCHBOLD, OH 43502 – USA TEL : +1 419 445 8915 FAX : +1 419 445 0367 Toll free : +1 800 537 0540 E.mail : sales@us.haulotte.com www.haulotte-usa.com</p>		<p>HAULOTTE NORTH AMERICA 3409 Chandler Creek Rd. VIRGINIA BEACH, VA 23453 – USA TEL : +1 757 689 2146 FAX : +1 757 689 2175 Toll free : +1 800 537 0540 E.mail : sales@us.haulotte.com www.haulotte-usa.com</p>
	<p>HAULOTTE NETHERLANDS BV Koopvaardijweg 26 4906 CV OOSTERHOUT - Nederland TEL : +31 (0) 162 670 707 FAX : +31 (0) 162 670 710 E.mail info@haulotte.nl</p>		<p>HAULOTTE AUSTRALIA PTY Ltd 46 GREENS ROAD DANDENONG – VIC – 3175 TEL : 1 300 207 683 FAX : +61 (0)3 9792 1011 E.mail : sales@haulotte.com.au</p>		<p>HAULOTTE CHILE El Arroyo 840 Lampa (9380000) Santiago (RM) TEL : + 562 2 3727630 E.mail : haulotte-chile@haulotte.com www.haulotte-chile.com</p>



Notes

A - Safety precautions

1 - Recommendations

1.1 - OPERATOR'S MANUAL

This operators manual is specific to the HAULOTTE® products listed on the cover page of this manual..



The operator manual does not replace the basic training required for all worksite equipment operators.

HAULOTTE® has compiled this manual to assist in safe and efficient operation of the products covered by the manual.

This manual must be kept on the machine (or in the cab in its storage case. The manual must be available to all operators and must be kept in good condition. Additional copies can be ordered from HAULOTTE Services®.

1.2 - SYMBOLS USED

Symbols are used to alert the operator to safety precautions or to highlight practical information.

Legend

Symbol	Description
	Danger : Risk of injury or death
	Caution : Risk of material damage
	Prohibition relating to work safety and quality
	Reminder : No identified risk, but a reminder of the need for common sense, good practice or pre-action prerequisites
	Cross-reference to another part of the manual (see section or sheet)
	Cross-reference to another manual (see manual)
	Cross-reference to repairs (contact HAULOTTE Services®)
N.B. :	Additional technical information

A - Safety precautions

1.3 - DECAL COLORS

The potential dangers and any specific regulations are indicated around the product by decals and identification plates.



The decals must be kept in good condition. Additional decals can be ordered from HAULOTTE Services®.

Familiarize yourself with the decals and their respective color codes.

Decal color code

Decals	Color	Description
	Red	Potentially fatal danger
	Orange	Risk of serious injury
	Yellow	Risk of material damage and/or minor injury
	Other	Additional technical information
	Green	Maintenance operation or information

Decal color code-For Russia and the Ukraine only

Decals	Color	Description
	Red	Prohibitions - Danger
	Yellow	Warning : Risk of material damage and/or minor injury
	Blue	Precaution
	Blue	Information
	Other	Additional technical information

A - Safety precautions

2 - Pre-operation instructions




2.1 - GENERAL INSTRUCTIONS



- The employer has the obligation to issue a driving permit to the operator.
- The employer is obliged to inform the operator of the local regulations.



Do not operate the product in the following situations :

- On soft, unstable or cluttered ground.
- With wind blowing faster than the permissible limit. Check the maximum allowable value in the technical characteristics / specifications ( Section G 1-Main characteristics). Consult the Beaufort scale ( Section A 3.2.4-Risk of uncontrolled movement and overturning).
- Close to power lines. Respect the safety distance ( Section A 3.2.3-Risk of electrocution).
- At ambient temperatures higher than 45 °C(113 °F) and lower than -15 °C(5 °F) . Consult HAULOTTE® if it is necessary to work outside this range.
- In an explosive atmosphere.
- During storms (risk of lightning).
- In the presence of strong electromagnetic fields.





N.B.-:You are advised to use the machine under "NORMAL" climatic conditions.. If you need to use the machine in climatic conditions likely to cause deterioration (extreme : humidity, temperatures, salinity, corrosiveness, atmospheric pressure), contact HAULOTTE Services@. Reduce intervals between servicing.

N.B.-:Whilst the machine is not in use, care must be taken to ensure that if the machine is not locked in a secure location, that the unit key switch is removed to prevent unauthorised use of the machine.

2.2 - SPECIFIC INSTRUCTIONS



Do not operate the product in the following situations :

- If the load in the platform exceeds the maximum load authorized. Check the maximum allowable value in the technical characteristics / specifications ( Section G 1-Main characteristics).
- If the ground slope is greater than the permissible limit. Check the maximum allowable value in the technical characteristics / specifications ( Section G 1-Main characteristics).
- At night unless the machine is equipped with the optional light.
- If the number of persons exceeds the permissible limit. Check the maximum allowable value in the technical characteristics / specifications ( Section G 1-Main characteristics)
- If the side force is greater than the permissible force. Check the maximum allowable value in the technical characteristics / specifications ( Section G 1-Main characteristics)

A - Safety precautions

3 - Operation instructions



It is preferable to operate the machine on flat, consolidated ground (tarmac, concrete, etc.).

3.1 - PROHIBITIONS



- Never use a faulty machine (hydraulic leaks, worn tires/tyres, malfunction).
- Never operate the machine controls suddenly.
- Never place the machine against a structure to hold that structure in place.
- Never use the machine to tow other machines or to drag materials.
- Never expose the batteries or electrical components to water (pressure cleaner, rain).
- Never disable the safety devices.
- Do not make contact with a fixed or mobile obstacle. The contact can cause premature deterioration of the structure and lead to the corruption of certain safety elements.
- Do not climb onto the covers.
- Never use the machine with only an operator in the platform. A second person competent in the operation of emergency retrieval, should be present on the ground in case of an emergency.
- Never use the machine when the platform is cluttered.
- Never increase the surface area of the platform by using floor extensions or accessories not authorized by HAULOTTE®.
- Never leave the hydraulic cylinders fully extended or retracted before switching off the machine, or when stationary for an extended period of time.



- Never use the machine with material or objects suspended from the guard-rail.
- Never use the machine with elements that can increase the wind force (panels).
- Never increase the working height by using attachments (ladder).
- Never use the guardrail as a means of access for climbing in or out of the platform. The basket can be easily accessed in its low position. For machines fitted with : Steps have been provided for this purpose where required.
- Never climb on the guardrail.
- Do not use the machine if the guard rails are not correctly installed and locked.
- Never use the machine without fitting the sliding (or rotating) middle rail, closing the safety gate or the swing gates beforehand.
- Never use the machine as a crane, material lift or elevator.
- Never use the machine for any other purpose than to transport people, their tools and material to the desired place.
- Never drive fast in narrow or cluttered areas. Keep speed under control in bends.
- Never tow the machine over extended distances (it must be transported on a trailer).

A - Safety precautions

3.2 - POTENTIAL RISKS

3.2.1 - Risk of command system disturbance

Risk of disrupted movement. Maintain clearance from high voltage lines or magnetic fields.

3.2.2 - Risk of falling

When in the platform, respect the following instructions :

- Carry individual protection equipment adapted to the work conditions and local rules.
- Avoid contact with fixed or mobile obstacles (other machines).
- Ensure that the adjustable midrail is closed (low position and against the guardrails).
- Ensure that the gate is closed and locked (For machines fitted with).
- Hold on securely to the guardrails during elevation and driving.
- Do not sit, stand, or climb on the platform guard rails.
- Ensure that guard rails are correctly installed and locked.
- Always keep your feet firmly on the floor of the platform.
- Remove any trace of oil or grease from the steps, floor, handrail and the guardrails.
- Keep the floor of the platform free of debris.
- Do not leave the platform until it is fully in its stowed position.
- Do not climb on to the platform if the machine is not in the stowed position.



To climb up or climb down from the platform :

- The machine must be completely stowed.
- Face the machine to access the entry opening to the platform
- Keep 3 support points between the steps and the guardrail



A

B

C

D

E

F

G

H

I

A - Safety precautions

3.2.3 - Risk of electrocution

The machine is not electrically insulated and does not offer any insulation protection.



The risks of electrocution are high in the following situations :

- Close to live power lines, consider the movement of the machine and the sway of the electric power lines particularly in windy conditions.
- In the event that you were to make accidental contact with a high voltage line, wait for the power to the line to be switched off before operating the machine.
- During storms.

Never use the machine as a welding earth.

Maintain a minimum safe distance with regard to power lines and electrical devices.

Respect the local rules and the minimum safety distance from power lines.

Minimum safe approach distances

Electric voltage	Minimum safety distance	
	Mètre	Feet
0 - 300 V	Avoid contact	
300 V - 50 kV	3	10
50 - 200 kV	5	15
200 - 350 kV	6	20
350 - 500 kV	8	25
500 - 750 kV	11	35
750 - 1000 kV	14	45






N.B.:-This table is applicable, except when the local regulations are more strict.

A - Safety precautions

3.2.4 - Risk of uncontrolled movement and overturning

When in the platform, respect the following instructions :



- Before operating the machine on any indoor or outdoor surface (premises, bridge, truck, etc.), check that the surface is capable of supporting the combined machine weight and platform capacity. Check the maximum allowable value in the technical characteristics / specifications ( Section G 1-Main characteristics).
- Remain vigilant of driving direction reversal at the platform. Check driving direction. The front of the machine is located on the opposite side to the step.
- Always ensure that the chassis is never driven any closer than 1 m(3 ft3 in) to holes, bumps, slopes, obstructions, debris and ground coverings that may hide holes and other dangers.
- During motion direction reversal from the platform or ground control box, the joysticks or switches must be in neutral position before reversing the direction of motion.
- Taking note of the overall load dimensions and weight, place the loads in the centre of the platform or distribute them it a uniform manner.
- If the tilt alarm sounds when the platform is raised, lower platform completely, then reposition machine onto level ground before raising platform.
-  Do not drive the machine on slopes or tilts beyond the design limits. Check the maximum allowable value in the technical characteristics / specifications( Section G 1-Main characteristics).
- Do not travel down slopes in high speed.
- Do not use the machine (elevation and travel) on an incline greater than that permitted by the slope sensor.
- Do not drive in reverse (direction opposite the field of vision).
- Never use the machine in winds exceeding the permissible limit.
- Do not increase the surface area exposed to wind. The greater the surface area exposed, the more unstable the machine becomes.
-  Make sure manual brake system is closed (tap is completely screwed in).
- Do not operate machine if brakes are released.
-  Section F 2.1Manual brake release

N.B.--The Beaufortscalemeasuresthewindforcewithagradautionsystem.Awindspeedrangeat 10 m(32 ft9 in) above flat, clear land is associated with each degree.



Some models have a zero wind rating and must not be exposed to wind forces. It should also be noted that winds can occur inside buildings if external windows or doors are left open. Refer to the machine identification plate to confirm the allowed wind load on the product being used.

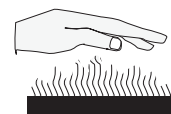
A - Safety precautions

Beaufort scale

Force	Meteorological description	Observed effects	m/s	km/h	mph
0	Calm	Smoke rises vertically.	0 - 0,2	0 - 1	0 - 0,62
1	Very light breeze	Smoke indicates the wind direction.	0,3 - 1,5	1 - 5	0,62 - 3,11
2	Light breeze	Wind felt on the face. Leaves rustle. Weather vanes turn.	1,6 - 3,3	6 - 11	3,72 - 6,84
3	Slight breeze	Leaves and small twigs in constant motion. Flags move slightly.	3,4 - 5,4	12 - 19	7,46 - 11,8
4	Nice breeze	Raised dust and loose papers. Small branches are moved.	5,5 - 7,9	20 - 28	12,43 - 17,4
5	Nice breeze	Small trees in leaf to sway. Crested wavelets form on inland waterways.	8,0 - 10,7	29 - 38	18,02 - 23,6
6	Cool wind	Large branches in motion. Power lines and chimneys 'sing'. Umbrellas used with difficulty.	10,8 - 13,8	39 - 49	24,23 - 30,45
7	Strong cool wind	Whole trees in motion. Inconvenience felt when walking against wind.	13,9 - 17,1	50 - 61	31 - 37,9
8	Squall	Some branches break. Generally we cannot walk against the wind.	17,2 - 20,7	62 - 74	38,53 - 45,98
9	Strong squall	The wind causes slight damage to buildings. Tiles and chimney stacks are blown off.	20,8 - 24,4	75 - 88	46,60 - 54,68

A - Safety precautions

3.2.5 - Risk of burns and explosion



When servicing batteries, always wear protective equipment for hands, eyes and face, and always be certain that battery acid does not come in contact with skin or clothing. If accidental contact occurs, flush with water and seek medical treatment immediately.

N.B.:-:Acid is neutralized with sodium bicarbonate and water.



- Do not charge batteries without proper ventilation. **ALWAYS** charge batteries in open, well-ventilated areas. Always open battery component cover when charging.
- Do not jumpstart other vehicles using the lift battery.
- Do not charge batteries unless electrolyte covers the plates inside the battery. Always check battery fluid level before charging.
- When disconnecting the cable from the battery, start with the negative terminal, and when connecting them, start with the positive terminal first
- Always disconnect batteries when servicing electrical components.
- Do not work in an explosive or flammable atmosphere (spark, flame, etc.).
- Do not touch the hot parts of the hydraulic power source (engine, filters, etc.).
- Do not bridge the battery terminals with metallic objects.
- Do not service the battery in proximity of spark, open flame, lit cigarettes.



A - Safety precautions

3.2.6 - Risk of crushing and collision

When in the platform, respect the following instructions :

- During operation, keep all the parts of the body inside the platform.
- Keep hands and limbs well away from the scissor arms.
- Adjust the movement speed to the ground conditions (traffic, slope, etc.).
- Respect stopping distances after the controls are released :
 - 3 m(9 ft10 in) at high speed.
 - 1 m(3 ft3 in) at low speed.
- Ensure there are no obstacles (structure) in the work area.
- Always obtain assistance from a guide on the ground when manoeuvring.
- All the personnel in the platform or on the within the vicinity of the machine must wear Personal Protection Equipment (safety helmet, etc.).
- When moving the machine, ensure that the machine operating areas is free of persons and obstacles.



Do not operate other machines (crane, aerial work platform, etc.) in the work area.

Take account of the distance, reduced visibility and blind spots during use of the machine.

B - Intervenor's responsibility

1 - Owner's (or hirer's) responsibility

The owner (or hirer) has the obligation to inform operators of the instructions contained in the Operator Manual.

The owner (or hirer) has the obligation to renew all manuals or decals that are either missing or in bad condition. Additional copies can be ordered from HAULOTTE Services®.

The owner (or hirer) is responsible for applying the local regulations regarding operation of the machine.

2 - Employer's responsibility

The employer has the obligation to issue a driving permit to the operator.

N.B. :-In accordance with the regulation of the country where the machine is operating, the user must be authorized by the doctor of Labour Ministry to operate the machine.



Forbid anyone from operating the machine who is :

- Under the influence of drugs, alcohol, etc..
- Subject to fits, loss of motor skills, dizziness, etc..

3 - Trainer's responsibility

The trainer must be qualified to provide training to operators in accordance with applicable local regulations. The training must be given in an obstacle-free area until the trainee is considered competent as defined by the training program undertaken.

4 - Operator's responsibility

The operator must read and understand the contents of this manual and the decals affixed on the machine.

The operator must inform the owner (or hirer) if the manual or any decals are missing or in poor condition, and of any malfunction of the machine.

The operator may only operate the machine for the purpose intended by the manufacturer.



Only authorized and qualified operators may operate HAULOTTE® machines.

All operators must become familiar with and fully understand the emergency controls and how to operate the machine in an emergency as a component of their formal operator training.

The operator has the obligation stop using the machine in the event of malfunction or safety problems on the machine or in the work area and report the problem to his/her supervisor.

B - Intervenor's responsibility

5 - Inspection and maintenance

The inspection and maintenance table below, identifies the role and the responsibilities of each party in periodical machine maintenance..



If the machine is operated in a hostile environment or intensively, increase the frequency of maintenance.

Inspections and maintenance

Type of intervention	Frequency	Person-in-charge	Intervenor	Reference document
Pre-delivery inspection	Before each delivery of sold, hired or resold equipment	Owner (or hirer)	Qualified HAULOTTE Services® technician	Operator's manual
Pre-operation inspection	Before operation or when the operator changes	Operator	Operator	Operator's manual
Periodical preventive maintenance	At the specified intervals (250 hours or 1 year)	Owner (or hirer)	On-site technician or qualified HAULOTTE Services® technician	Maintenance book
Periodical visit	2 times a year or at the latest 6 months after the last periodic visit, and according to the local regulations	Owner (or hirer)	Organization or technician approved by the employer or by the intermediary of HAULOTTE Services® in accordance with the HAULOTTE Services® contract	Maintenance book

C - Machine layout

1 - Identification

The manufacturer's identification plate fixed on the chassis bears all pertinent information to identify the machine (Please see machine configuration).



For any request for information, intervention or spare parts, specify the type and serial number of the machine.

A

B

> C

D

E

F

G

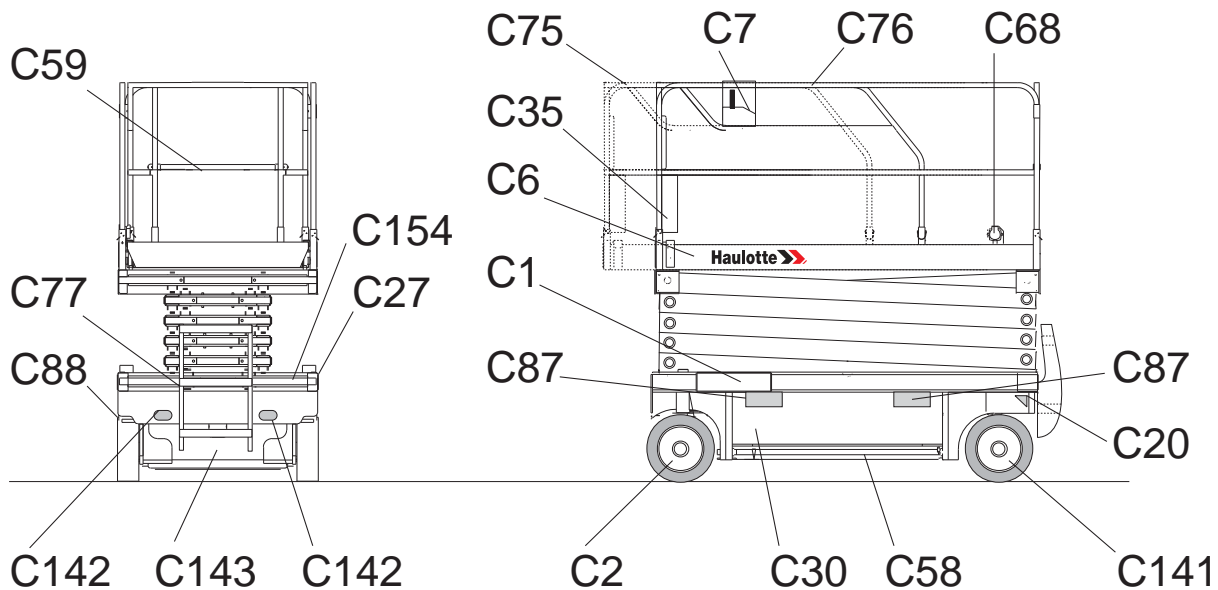
H

I

C - Machine layout

2 - Main components

COMPACT 8 (COMPACT 2032E) - COMPACT 8W (COMPACT 2047E) - COMPACT 10N (COMPACT 2632E) - COMPACT 10 (COMPACT 2747E) - COMPACT 12 (COMPACT 3347E) - COMPACT 14 (COMPACT 3947E) - Major Component Location Diagram

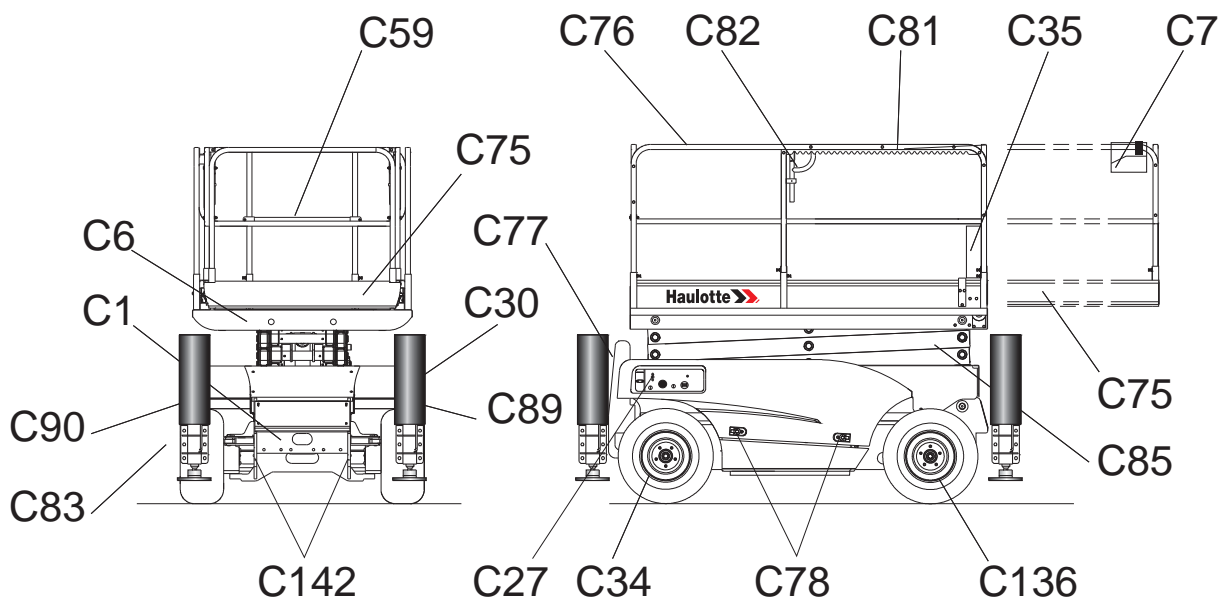


COMPACT 8 (COMPACT 2032E) - COMPACT 8W (COMPACT 2047E) - COMPACT 10N (COMPACT 2632E) - COMPACT 10 (COMPACT 2747E) - COMPACT 12 (COMPACT 3347E) - COMPACT 14 (COMPACT 3947E) - Description of the components

Marking	Description
C1	Chassis
C2	Front driven steering axle
C6	Platform
C7	Platform control box
C20	Tie-down (and/or lifting) points
C27	Ground control box
C30	Hydraulic oil tank
C35	Document holder
C58	Pothole protection
C59	Hinged midrail
C68	Electric socket (Option)
C75	Extension
C76	Guardrail
C77	Platform access ladder
C87	Position of the lift truck forks
C88	Battery drawer lock
C141	Rear wheel
C142	Machine anchorage point
C143	Battery drawer
C154	For Russia and the Ukraine only : Temperature probe relays

C - Machine layout

COMPACT 10RTE (COMPACT2668RTE) - COMPACT 12RTE (COMPACT 3368RTE) - Major Component Location Diagram



COMPACT 10RTE (COMPACT2668RTE) - COMPACT 12RTE (COMPACT 3368RTE) - Description of the components

Marking	Description
C1	Chassis
C6	Platform
C7	Platform control box
C27	Ground control box
C30	Hydraulic oil tank
C34	Drive wheels
C35	Document holder
C59	Hinged midrail
C75	Extension
C76	Guardrail
C77	Platform access ladder
C78	Hood locking catch
C81	Sliding guardrail
C82	Deck extension handle
C83	Stabiliser ⁽¹⁾
C85	Scissors
C89	Battery bay (electropump unit)
C90	Battery bay (hydraulic block and filter)
C136	Steer wheels
C142	Machine anchorage point

(1) : Outriggers option only

C - Machine layout

3 - Safety devices

3.1 - SLIDING (OR SWINGING) INTERMEDIATE GUARDRAIL



The illustrations in this paragraph do not necessarily correspond to the range of products designated in the manual.

The platform is comprised of guardrails and a sliding mid-rail facilitating platform access.



Do not restrain the sliding midrail to the guard rail.



C - Machine layout

3.2 - ANCHORAGE POINT (PLEASE SEE MACHINE CONFIGURATION)



The illustrations in this paragraph do not necessarily correspond to the range of products designated in the manual.

The machine is equipped with harness anchorage points which accept a single harness per anchorage point. The anchorage points are identified by the presence of the Anchorage point decal.



If the local regulation imposes the wearing of a harness, use the approved anchorage points.



C - Machine layout

3.3 - MAINTENANCE SUPPORT



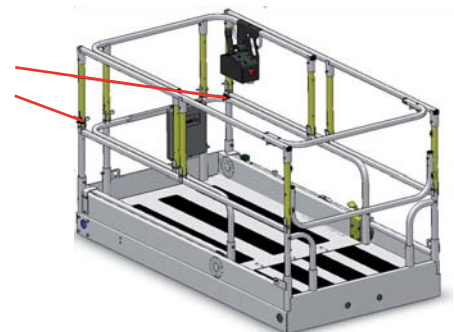
The illustrations in this paragraph do not necessarily correspond to the range of products designated in the manual.

The maintenance support (on both sides of the machine) must be put in place before any maintenance operations.



3.4 - FOLDING GUARDRAILS - OPTION

Before using the machine, make sure that all the guardrails are fixed in the correct positions.

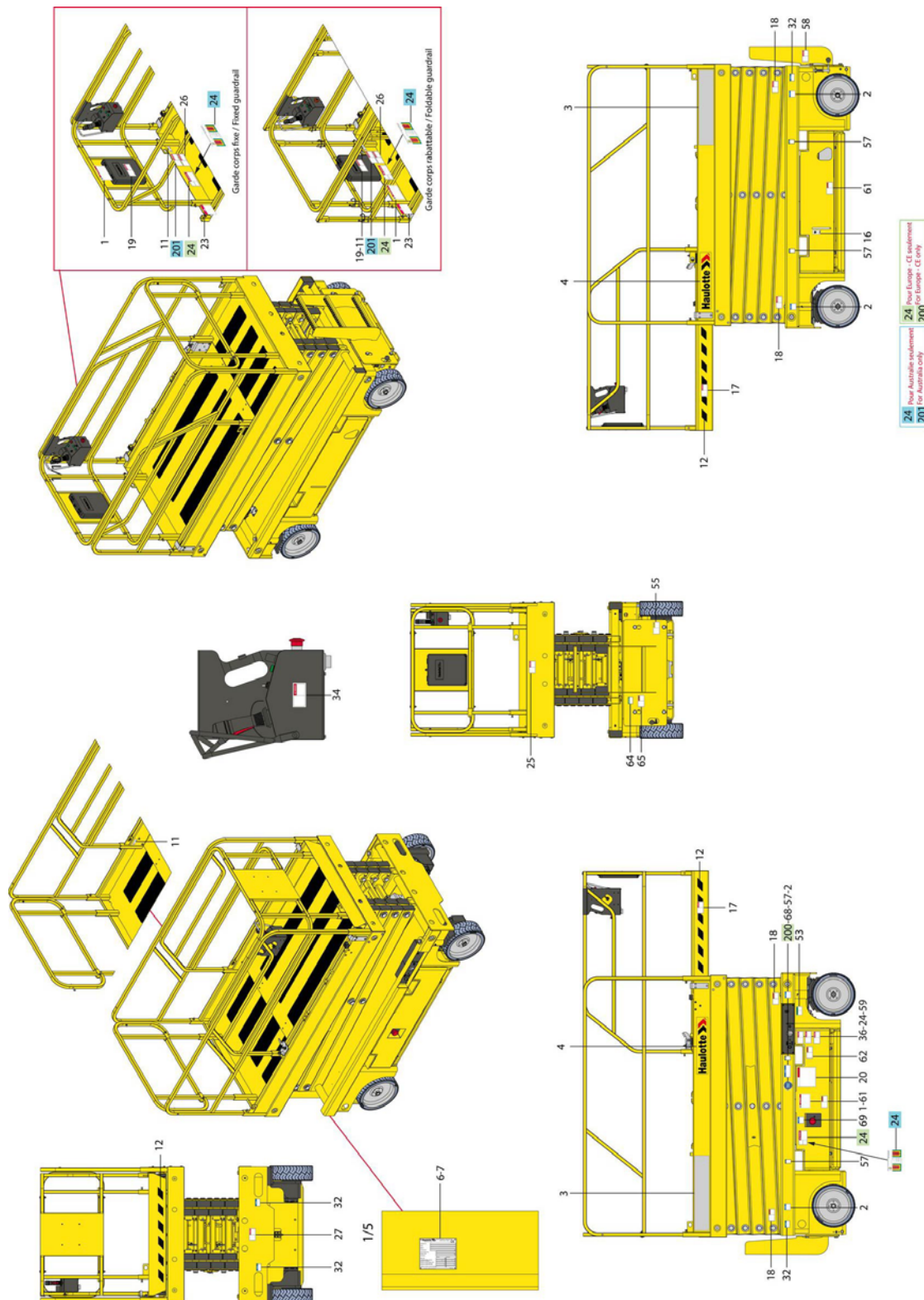


C - Machine layout

4 - Decals

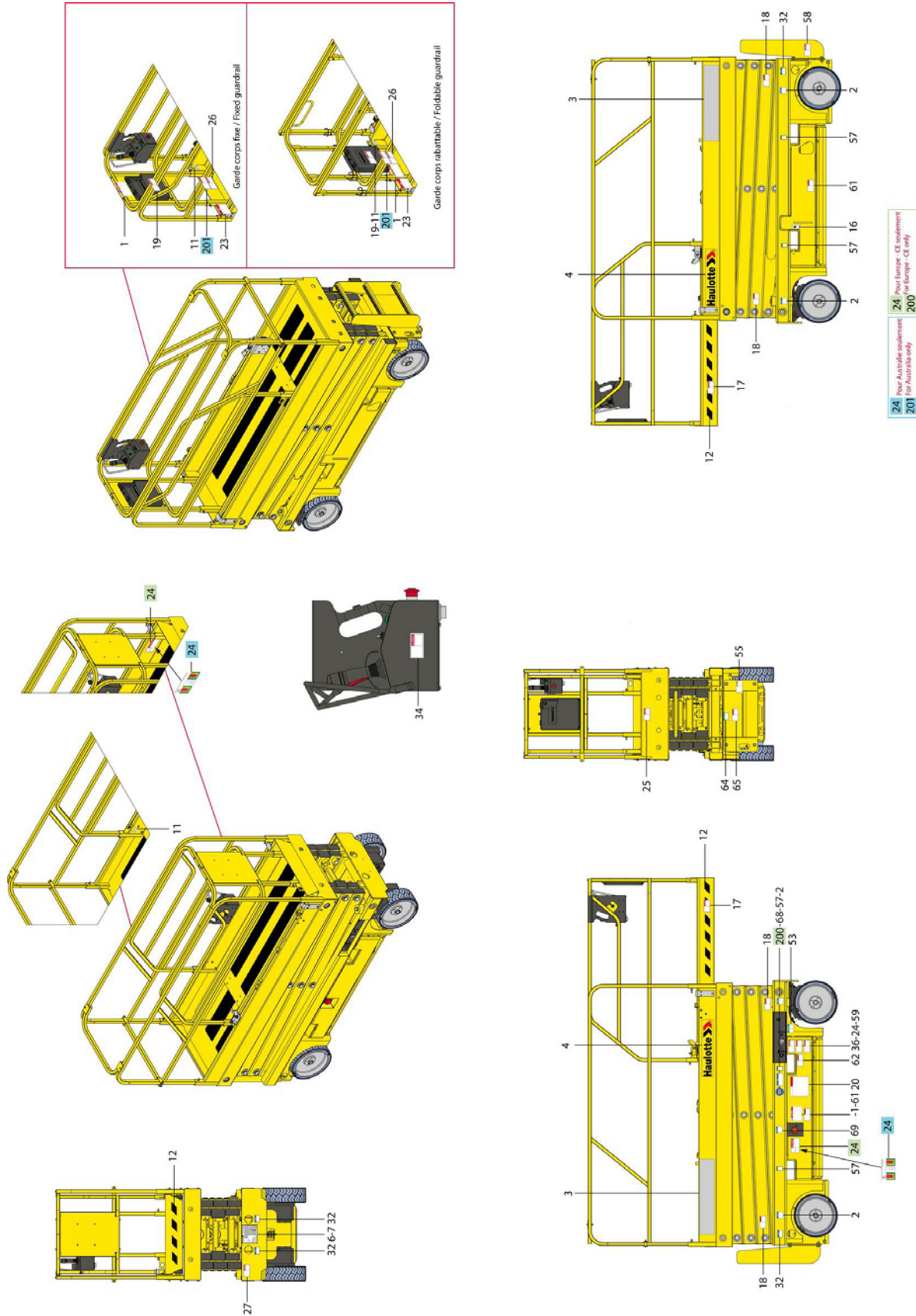
4.1 - DECALS AND MARKINGS LOCATIONS

COMPACT 8W - COMPACT 10 - COMPACT 12 - COMPACT 14 - Locations - CE and AS standards



C - Machine layout

COMPACT 8 - COMPACT 10N - Locations - CE and AS standards



C - Machine layout

COMPACT 8 - COMPACT 8W - COMPACT 10 - COMPACT 10N - COMPACT 12 - COMPACT 14 - Decal descriptions - CE standard

Marking	Color	Description	Quantity	
1	Red	Height of the floor and load	2	For COMPACT 8 : 4000326010 For COMPACT 8 Single load : 4000326090 For COMPACT 8W : 4000325930 For COMPACT 10 : 4000325970 For COMPACT 10N : 4000326050 For COMPACT 12 : 4000326130 For COMPACT 12 (Japan) : 4000502150 For COMPACT 14 : 4000326170 For COMPACT 8 : 4000326180 For COMPACT 8 Single load : 4000326280
2	Blue	Maximum Pressure per Tire - Floor Loading	4	For COMPACT 8W : 4000326220 For COMPACT 10 : 4000326200 For COMPACT 10N : 4000326240 For COMPACT 12 : 4000326260 For COMPACT 14 : 4000324950
3	Other	Commercial name - Bright machine	2	For COMPACT 8 and COMPACT 8 Single load : 3078145120 For COMPACT 8W : 3078145130 For COMPACT 10 : 3078145140 For COMPACT 10N : 3078150900 For COMPACT 12 : 3078145150 For COMPACT 14 : 307P227250
3	Other	Commercial name - Dark machine	2	For COMPACT 8 and COMPACT 8 Single load : 307P222270 For COMPACT 8W : 307P222840 For COMPACT 10 : 307P222240 For COMPACT 10N : 307P222280 For COMPACT 12 : 307P222250 For COMPACT 14 : 307P227240
4	Other	Decal HAULOTTE® - Bright machine	2	307P217080
4	Other	Decal HAULOTTE® - Dark machine	2	307P224740
4	Other	Decal HAULOTTE® - Red machine	2	307P220360
6	Other	Identification plate	1	3078146180
11	Other	Lanyard attachment points	2	307P216290
12	Other	Material risk - Yellow and black adhesive tape	2	2421808660
16	Other	Max and min oil level	1	307P221060
17	Red	Risk of crushing	2	4000244370
18	Red	Risk of crushing	4	4000024890
19	Red	Operation instructions	1	4000025140

A

B

C

D

E

F

G

H

I

C - Machine layout

Marking	Color	Description	Quantity	
				In french : 3078149030 In english : 307P222740 In german : 307P222730 In croatian : 4000360810 In danish : 307P222760 In Spanish : 307P222770 In estonian : 4000360870 In finish : 307P222780 In dutch : 307P222790 In hungarian : 4000360890 In italian : 307P222800 In japanese : 4000359830 In latvian : 4000359840 In lithuanian : 4000359850 In norwegian : 4000359900 In polish : 4000359860 In Portuguese : 307P222810 In romanian : 4000359870 In slovakian : 4000359880 In slovenian : 4000359890 In swedish : 307P222820
20	Red	Operation instructions	1	
23	Red	Risk of crushing - Driving direction	1	3078145100
24	Red	Danger of electrocution	2	4000244350
25	Red	Risk of crushing - Closing drop rail	1	4000025080
26	Red	Danger of electrocution - Ground for welding	1	4000027100
27	Red	Verification of tilt operation	1	4000244380
32	Blue	Anchorage point - Traction	4	4000027310
34	Red	Risk of electrocution - Water projection	1	4000025130
36	Red	Emergency lowering-Platform	1	4000244340
53	Green	Emergency lowering-T-handle	1	4000227200
55	Yellow	Risk of electrocution - Charger - 240 V	1	4000273940
57	Blue	Position of the lift truck forks	4	3078143830
58	Red	Battery compartment locking	1	4000310170
59	Orange	Scissors safety	1	4000027550
61	Orange	Risk of crushed feet	2	4000025060
62	Orange	Stop time during descent	1	4000271010
64	Green	Battery verification	1	4000274040
65	Orange	Hand crushing hazard - Battery	1	4000027440
68	Blue	Information-Transport height	1	For COMPACT 8 and Single load : 4000417380 For COMPACT 8W : 4000417400 For COMPACT 10 : 4000417410 For COMPACT 10N : 4000417390 For COMPACT 12 : 4000417420 For COMPACT 14 : 4000417430
69	Blue	Information-Battery isolation switch	1	4000420660
200	Other	Information - Explanation-"Made in Europe"	1	4000137690

C - Machine layout

COMPACT 8 - COMPACT 8W - COMPACT 10 - COMPACT 10N - COMPACT 10N-1 - COMPACT 12 - COMPACT 14 - Decal descriptions - AS standard

Marking	Color	Description	Quantity	
1	Red	Height of the floor and load	2	For COMPACT 8 : 4000326010 For COMPACT 8W : 4000325930 For COMPACT 10 : 4000325970 For COMPACT 10N : 4000326050 For COMPACT 10N-1 : 4000467340 For COMPACT 12 : 4000326130 For COMPACT 14 : 4000326170
2	Blue	Maximum Pressure per Tire - Floor Loading	4	For COMPACT 8 : 4000326180 For COMPACT 8W : 4000326220 For COMPACT 10 : 4000326200 For COMPACT 10N : 4000326240 For COMPACT 10N-1 : 4000467350 For COMPACT 12 : 4000326260 For COMPACT 14 : 4000324950
3	Other	Commercial name - Bright machine	2	For COMPACT 8 : 3078145120 For COMPACT 8W : 3078145130 For COMPACT 10 : 3078145140 For COMPACT 10N : 3078150900 For COMPACT 12 : 3078145150 For COMPACT 14 : 307P227250
3	Other	Commercial name - Dark machine	2	For COMPACT 8 : 307P222270 For COMPACT 8W : 307P222840 For COMPACT 10 : 307P222240 For COMPACT 10N : 307P222280 For COMPACT 12 : 307P222250 For COMPACT 14 : 307P227240
4	Other	Decal HAULOTTE® - Bright machine	2	307P217080
4	Other	Decal HAULOTTE® - Dark machine	2	307P224740
4	Other	Decal HAULOTTE® - Red machine	2	307P220360
6	Other	Identification plate	1	3078146180
11	Other	Lanyard attachment points	2	307P216290
12	Other	Material risk - Yellow and black adhesive tape	2	2421808660
16	Other	Max and min oil level	1	307P221060
17	Red	Risk of crushing	2	4000244370
18	Red	Risk of crushed hands	4	4000024890
19	Red	Operation instructions	1	4000025140
20	Red	Operation instructions	1	307P222740
23	Red	Risk of crushing - Driving direction	1	3078145100
24	Red	Danger of electrocution	2	4000227500
25	Red	Risk of crushing - Closing drop rail	1	4000025080
26	Red	Danger of electrocution - Ground for welding	1	4000027100
27	Red	Verification of tilt operation	1	4000244380
32	Blue	Anchorage point - Traction	4	4000027310
34	Red	Risk of electrocution - Water projection	1	4000025130
36	Red	Emergency lowering-Platform	1	4000244340
55	Yellow	Risk of electrocution - Charger - 240 V	1	3078144390
57	Blue	Position of the lift truck forks	4	3078143830
58	Red	Battery compartment locking	1	4000310170
59	Orange	Scissors safety	1	4000027550
61	Orange	Risk of crushed feet	2	4000025060
62	Orange	Stop time during descent	1	4000271010
64	Green	Battery verification	1	4000274040

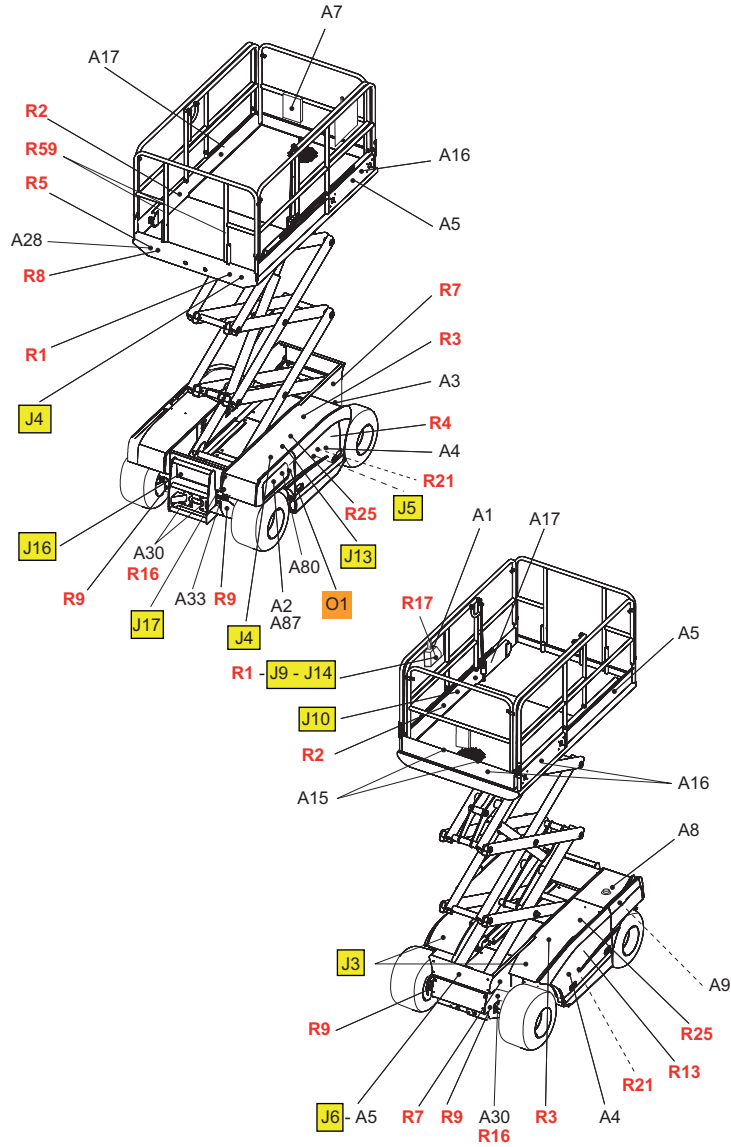
C - Machine layout

Marking	Color	Description	Quantity	
65	Orange	Hand crushing hazard - Battery	1	4000027440 For COMPACT 8 : 4000417380 For COMPACT 8W : 4000417400
68	Blue	Information-Transport height	1	For COMPACT 10 : 4000417410 For COMPACT 10N : 4000417390 For COMPACT 12 : 4000417420 For COMPACT 14 : 4000417430
69	Blue	Information-Battery isolation switch	1	4000420660
201	Red	Information - Explanation-Wearing of a safety harness is essential	1	4000275670

N.B.-:-COMPACT 10N-1 (NA) : Only for Australia.

C - Machine layout

COMPACT 10RTE - COMPACT 12RTE - Locations - CE and AS standards



C - Machine layout

COMPACT 10RTE - COMPACT 12RTE - Decal descriptions - CE and AS standards

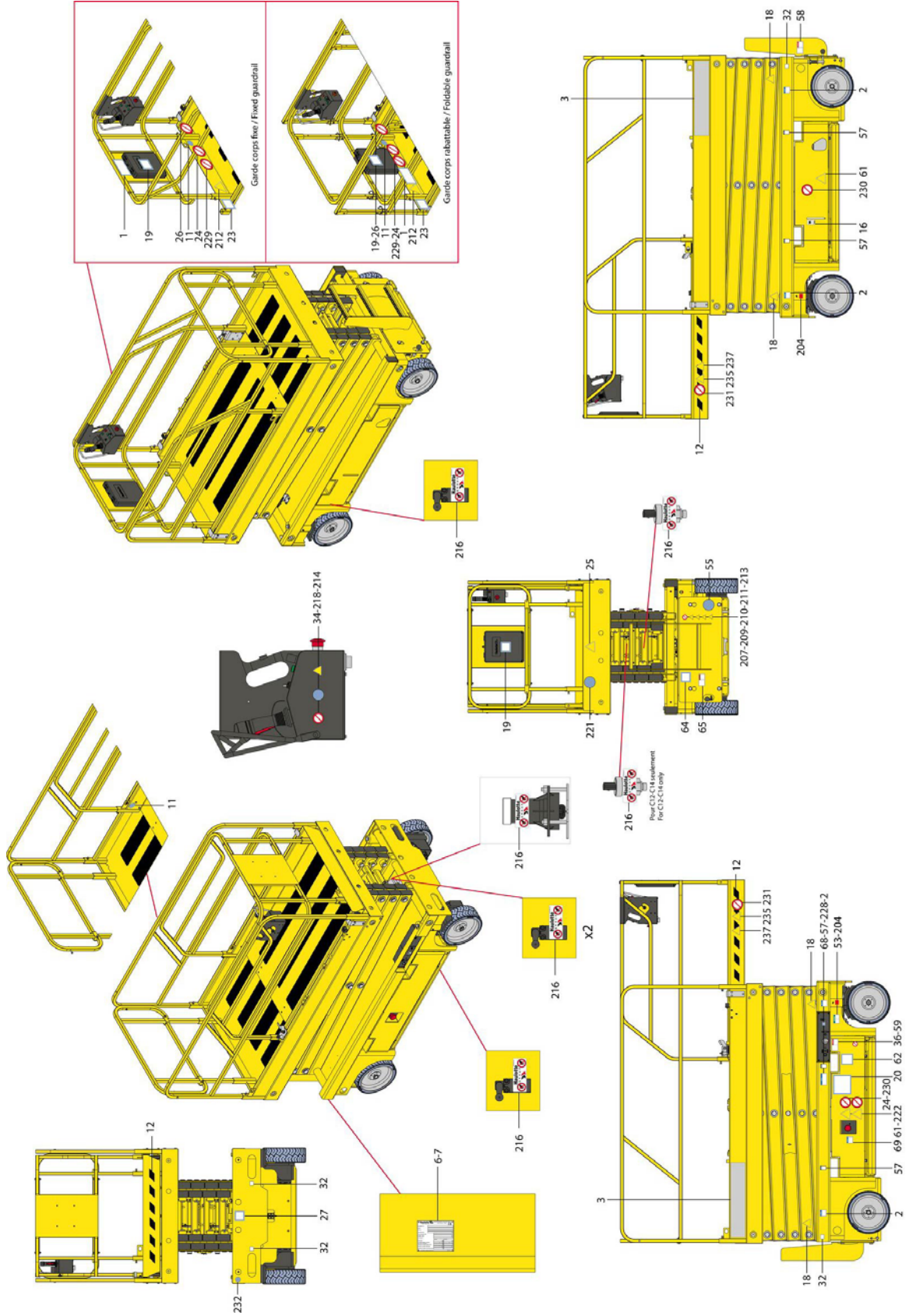
Marking	Color	Description	Quantity	
R1	Red	Height of the floor and load	2	For COMPACT 10RTE (COMPACT 2668RTE) : 3078146300 For COMPACT 12RTE (COMPACT 3368RTE) : 3078146310
R2	Red	Travel direction	1	3078145100
R3	Red	Risk of crushed hands	4	3078143810
R5	Red	Danger of electrocution	1	3078143810
R7	Red	Do not park in the work area	2	3078143800
R8	Red	Close the sliding rail	1	307P215810
R9	Red	Wheel load	4	For COMPACT 10RTE (COMPACT 2668RTE) : 3078152400 For COMPACT 12RTE (COMPACT 3368RTE) : 3078152410
R10	Red	Maximum effort on the stabilizers	4	For COMPACT 10RTE (COMPACT 2668RTE) : 3078153280 For COMPACT 12RTE (COMPACT 3368RTE) : 3078153290
R13	Red	Risk of crushed feet	4	CE standard : 3078144670 AS standard : 3078146700
R16	Red	Load strength on each slings	4	For AS standard only : 3078144490
R17	Red	Do not travel down slopes in high speed	1	For AS standard only : 3078144360
R21	Red	Protective clothing required	1	3078143610
R23	Red	Use of stabilizers	1	3078144260
R24	Red	The cylinders must be retracted	1	3078144280
R25	Red	Battery drawer lock	1	3078148240
R59	Red	Red general danger	2	307P230010
O1	Orange	Operation instructions	1	In french (CE standard) : 3078143420 In english (CE and AS standards) : 3078143450 In spanish (CE standard) : 3078143430 In german (CE standard) : 3078143440 In italian (CE standard) : 3078143460 In danish (CE standard) : 3078144940 In portuguese (CE standard) : 3078145830 In finish (CE standard) : 3078145540 In swedish (CE standard) : 3078145940 In dutch (CE standard) : 3078143470
J3	Yellow	Do not place your foot on the cover	2	3078143640
J4	Yellow	Do not use the machine as a welding earth	1	3078143600
J5	Yellow	Brake release	1	3078150530
J6	Yellow	Verification of tilt operation	1	3078144650
J9	Yellow	Stop time during descent	1	In french (CE standard) : 3078144640 In english (CE and AS standards) : 3078144710 In spanish (CE standard) : 3078144720 In german (CE standard) : 3078144700 In italian (CE standard) : 3078144730 In danish (CE standard) : 3078145320 In portuguese (CE standard) : 3078145850 In finish (CE standard) : 3078145560 In swedish (CE standard) : 3078146010 In dutch (CE standard) : 3078144740
J10	Yellow	Socket	1	CE standard : 3078145730 AS standard : 3078144390
J13	Yellow	Battery verification	1	3078143510

C - Machine layout

Marking	Color	Description	Quantity	
J14	Yellow	Using the machine during battery charging is forbidden	1	3078144630
J16	Yellow	Emergency lowering	1	3078151140
J17	Yellow	Socket connection	1	CE standard : 3078143540 AS standard : 3078144570
A1	Other	Platform control box	1	307P217640
A1	Other	Platform control box - If outriggers option	1	307P227930
A2	Other	Ground control box	1	307P217630
A3	Other	Identification plate	1	3078146180
A4	Other	Machine name logo	2	For COMPACT 10RTE (COMPACT 2668RTE) : 3078148680 For COMPACT 12RTE (COMPACT 3368RTE) : 3078148690
A5	Other	Small format HAULOTTE® logo	2	307P217080
A7	Other	Read the operation manual	1	3078143680
A8	Other	Hydraulic oil	1	3078143520
A8	Other	Biodegradable oil	1	3078148890
A8	Other	Winter grade hydraulic oil	1	307P223700
A9	Other	Max and min oil level	1	3078143590
A15	Other	Harness anchor point location	4	307P216290
A16	Other	Yellow and black adhesive tape	1	2421808660
A30	Other	Machine tie down points	4	3078147930
A33	Other	Battery charger socket	1	3078152440
A80	Other	Emergency lowering location	1	307P226580
A87	Other	Emergency control box	1	For Italy only : 307P232500
R4	Green	Risk of crushing	1	4000227200

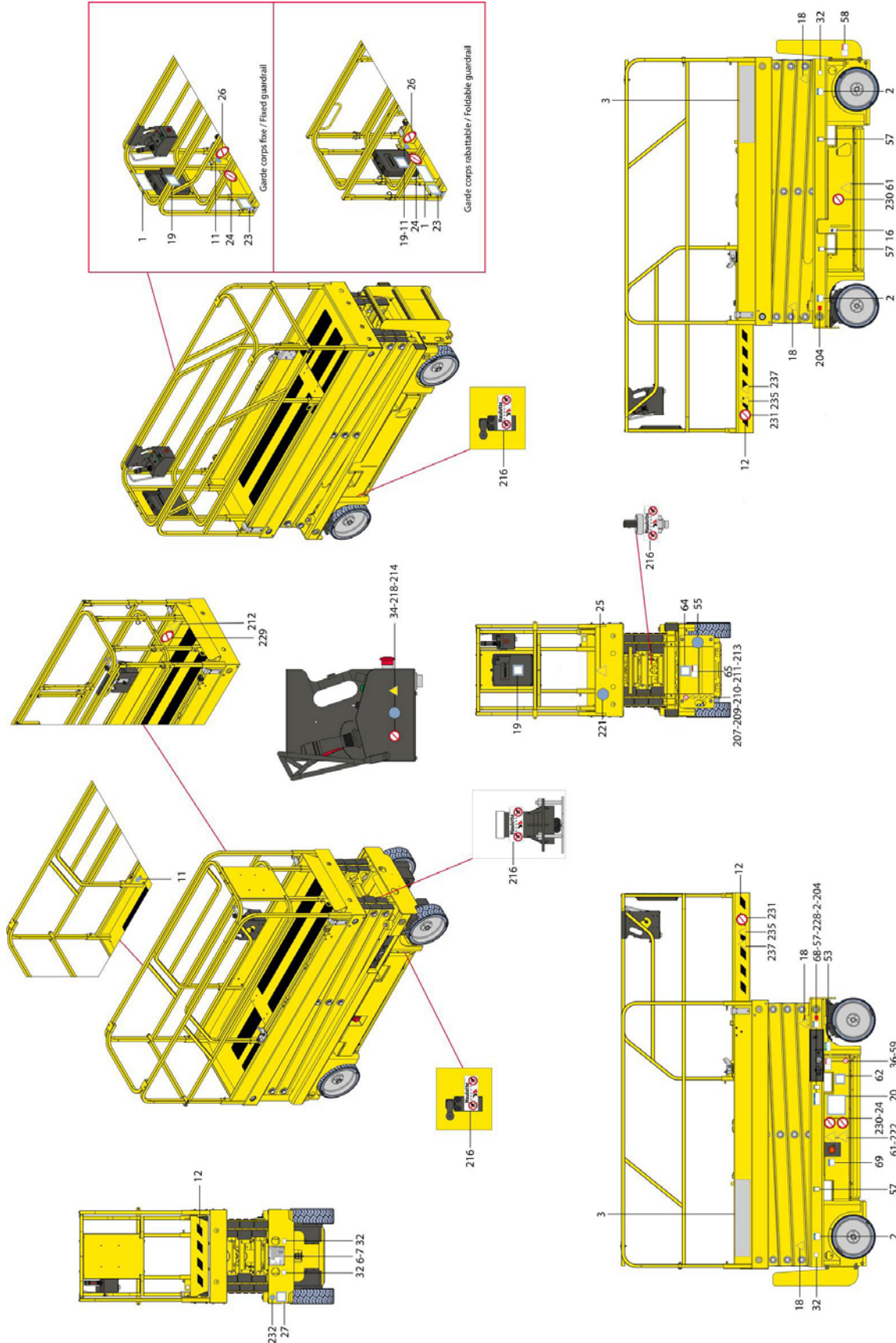
C - Machine layout

COMPACT 8W - COMPACT 10 - COMPACT 12 - COMPACT 14 - Locations - EAC standard



C - Machine layout

COMPACT 8 - COMPACT 10N - Locations - EAC standard



C - Machine layout

COMPACT 8 - COMPACT 8W - COMPACT 10 - COMPACT 10N - COMPACT 12 - COMPACT 14 - Decal descriptions - EAC standard

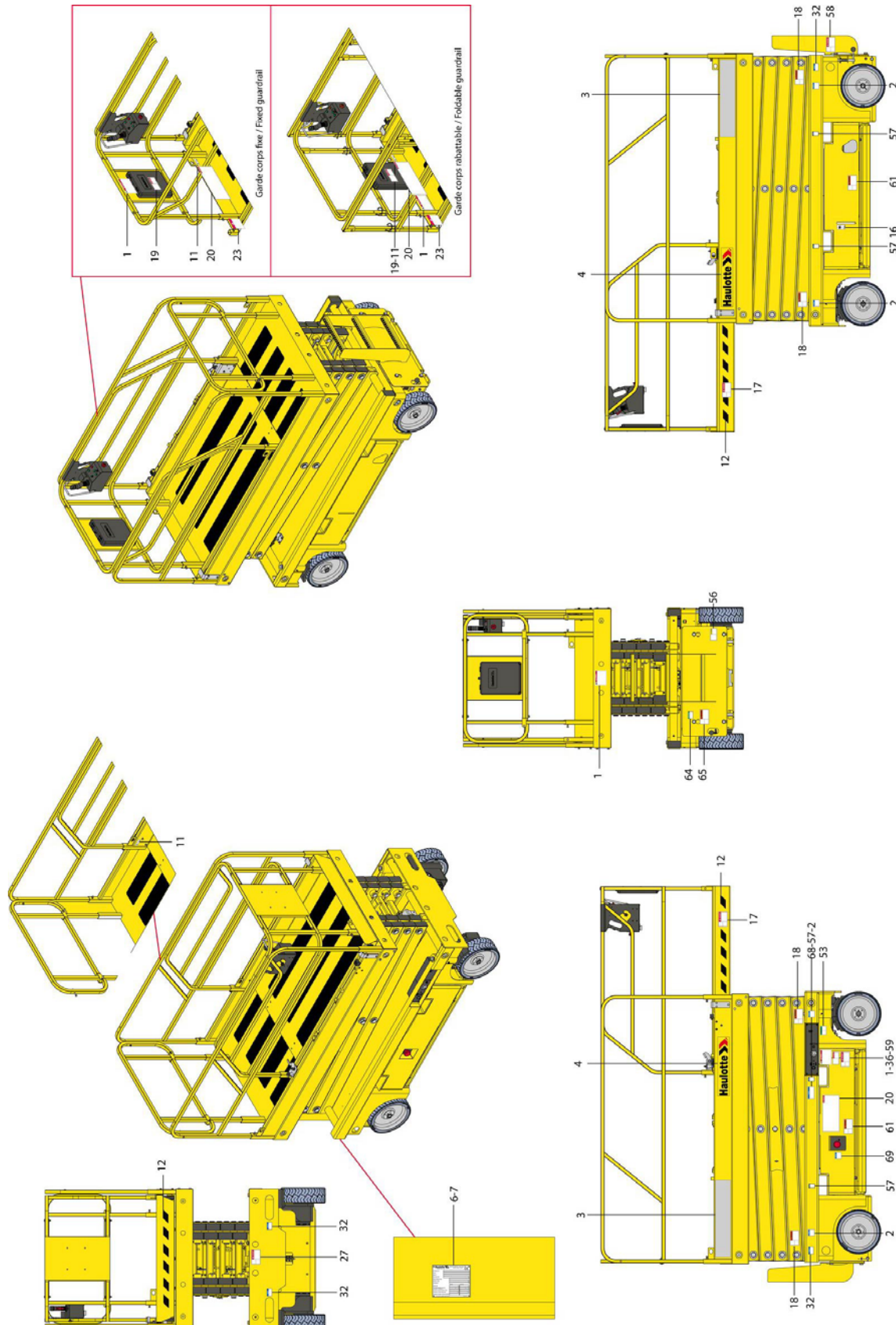
Marking	Color	Description	Quantity	
1	Red	Height of the floor and load	2	For COMPACT 8 : 307P228400 For COMPACT 8 Single load : 307P223960 For COMPACT 8W : 4000044220 For COMPACT 10 : 4000043960 For COMPACT 10N : 307P227230 For COMPACT 12 : 4000043940 For COMPACT 14 : 4000015650
2	Blue	Maximum Pressure per Tire - Floor Loading	4	For COMPACT 8 : 4000326180 For COMPACT 8 Single load : 4000326280 For COMPACT 8W : 4000326220 For COMPACT 10 : 4000326200 For COMPACT 10N : 4000326240 For COMPACT 12 : 4000326260 For COMPACT 14 : 4000324950
3	Other	Commercial name - Bright machine	2	For COMPACT 8 and COMPACT 8 Single load : 3078145120 For COMPACT 8W : 3078145130 For COMPACT 10 : 3078145140 For COMPACT 10N : 3078150900 For COMPACT 12 : 3078145150 For COMPACT 14 : 307P227250
3	Other	Commercial name - Dark machine	2	For COMPACT 8 and COMPACT 8 Single load : 307P222270 For COMPACT 8W : 307P222840 For COMPACT 10 : 307P222240 For COMPACT 10N : 307P222280 For COMPACT 12 : 307P222250 For COMPACT 14 : 307P227240
6	Other	Identification plate	1	For Russia : 4000388680 For Ukraine : 4000054150
11	Other	Lanyard attachment points	2	307P226710
12	Other	Material risk - Yellow and black adhesive tape	2	2421808660
16	Other	Max and min oil level	1	307P221060
18	Yellow	Risk of crushed hands	4	307P227660
19	Red	Operation instructions	1	For Russia : 307P227190 For Ukraine : 307P227840
20	Red	Operation instructions	1	For Russia : 4000359920 For Ukraine : 4000359910
23	Red	Risk of crushing - Driving direction	1	For Russia : 4000010890 For Ukraine : 4000011390
24	Red	Danger of electrocution	2	4000010920
25	Red	Risk of crushing - Closing drop rail	1	307P226950
26	Red	Danger of electrocution - Ground for welding	1	307P226970
27	Red	Verification of tilt operation	1	For Russia : 307P227060 For Ukraine : 307P227870
32	Blue	Anchorage point - Traction	4	4000013970
34	Red	Risk of electrocution - Water projection	1	307P226780
36	Red	Emergency lowering-Platform	1	4000244340
53	Green	Emergency lowering-T-handle	1	4000227200
55	Yellow	Risk of electrocution - Charger - 240 V	1	307P227520
57	Blue	Position of the lift truck forks	4	4000013830
58	Red	Battery compartment locking	1	4000310170

C - Machine layout

Marking	Color	Description	Quantity	
59	Orange	Scissors safety	1	4000270960
61	Orange	Risk of crushed feet	2	4000270970
62	Orange	Stop time during descent	1	For Russia : 4000011400 For Ukraine : 4000011430
64	Green	Battery verification	1	For Russia : 307P227180 For Ukraine : 307P227860
65	Orange	Hand crushing hazard - Battery	1	4000027440
68	Blue	Information-Transport height	1	For COMPACT 8 and Single load : 4000417380 For COMPACT 8W : 4000417400 For COMPACT 10 : 4000417410 For COMPACT 10N : 4000417390 For COMPACT 12 : 4000417420 For COMPACT 14 : 4000417430
69	Blue	Information-Battery isolation switch	1	4000420660
204	Red	Lubrication point	2	307P219370
207	Red	Smoking forbidden	1	307P226760
209	Yellow	Battery danger	1	307P226790
210	Yellow	Fire Hazard	1	307P226800
211	Yellow	Electrical danger	1	307P226810
216	Other	Information - Explanation-Tamper-proof	6	307P227450
221	Blue	Obligatory routing	1	307P227510
228	Blue	Horn	1	4000014830
229	Red	Do not travel down slopes in high speed	1	307P226990
231	Red	Do not park	2	4000010910
232	Blue	Information - Explanation-Male 24V plug	1	307P226740
235	Yellow	Vertical crushing of the body	2	4000014270
236	Blue	Information - Explanation-Caution glasses	1	307P226670
237	Yellow	Lateral crushing of the body	2	307P227670

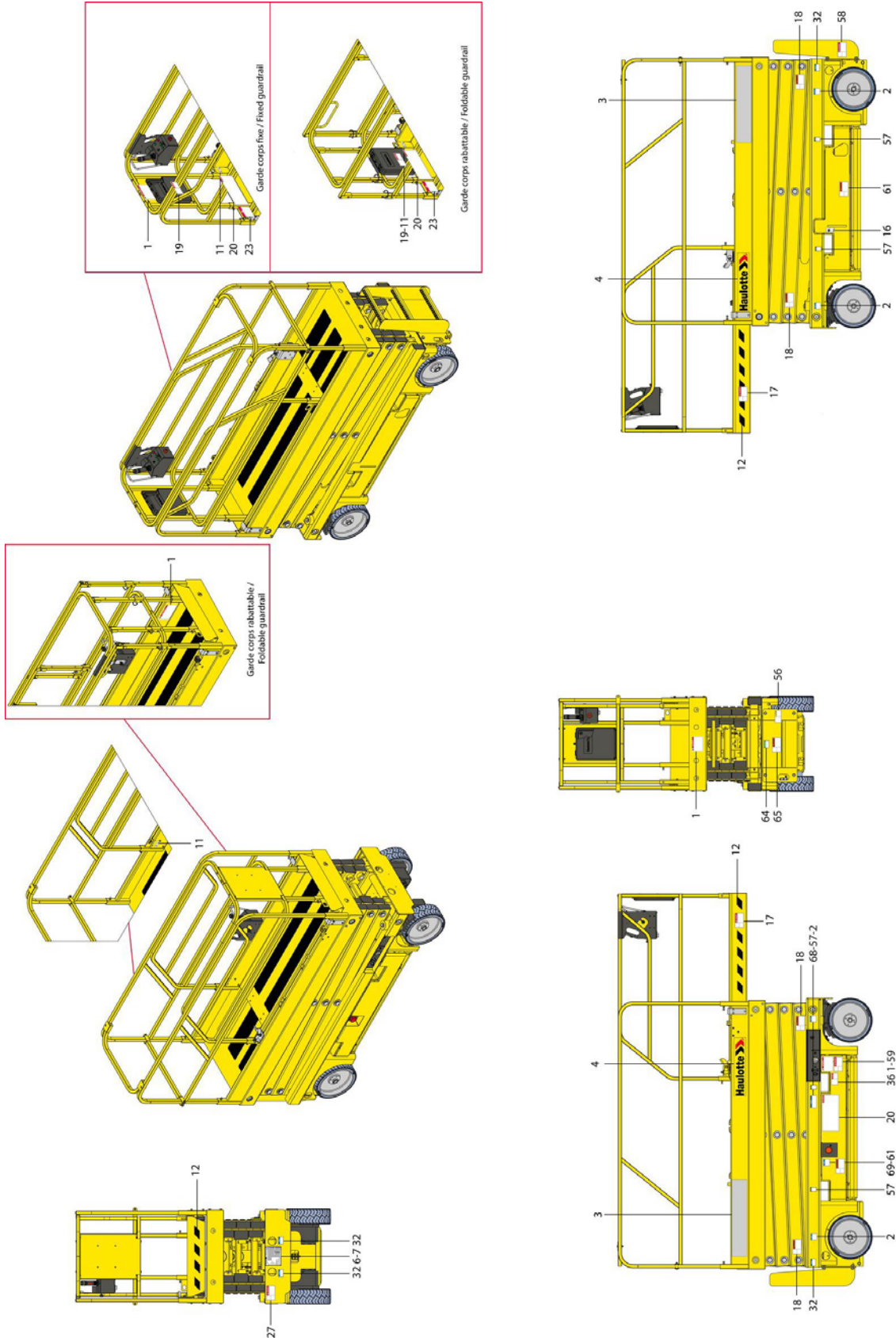
C - Machine layout

COMPACT 8W (C 2047E) - COMPACT 10 (C 2747E) - COMPACT 12 (C 3347E) - COMPACT 14 (C 3947E) - Locations - ANSI and CSA standards



C - Machine layout

COMPACT 8 (C 2032E) - COMPACT 10N (C 2632E) - Locations - ANSI and CSA standards



C - Machine layout

COMPACT 8 (C 2032E) - COMPACT 8W (C 2047E) - COMPACT 10 (C 2747E) - COMPACT 10N (C 2632E) - COMPACT 12 (C 3347E) - COMPACT 14 (C 3947E) - Decal descriptions - ANSI and CSA standards

Marking	Color	Description	Quantity	
1	Red	Height of the floor and load	3	For COMPACT 8 (C 2032E)-In english : 4000326030 For COMPACT 8 (C 2032E)-In french : 4000326020 For COMPACT 8 (C 2032E)-In spanish : 4000326040 For COMPACT 8W (C 2047E)-In english : 4000325950 For COMPACT 8W (C 2047E)-In french : 4000325940 For COMPACT 8W (C 2047E)-In spanish : 4000325960 For COMPACT 10 (C 2747E)-In english : 4000325990 For COMPACT 10 (C 2747E)-In french : 4000325980 For COMPACT 10 (C 2747E)-In spanish : 4000326000 For COMPACT 10N (C 2632E)-In english : 4000326070 For COMPACT 10N (C 2632E)-In french : 4000326060 For COMPACT 10N (C 2632E)-In spanish : 4000326080 For COMPACT 12 (C 3347E)-In english : 4000326150 For COMPACT 12 (C 3347E)-In french : 4000326140 For COMPACT 12 (C 3347E)-In spanish : 4000326160 For COMPACT 14 (C 3947E)-In english : 4000325070 For COMPACT 14 (C 3947E)-In french : 4000325080 For COMPACT 14 (C 3947E)-In spanish : 4000325090
2	Blue	Maximum Pressure per Tire - Floor Loading	4	For COMPACT 8 (C 2032E) : 4000326180 For COMPACT 8W (C 2047E) : 4000326220 For COMPACT 10 (C 2747E) : 4000326200 For COMPACT 10N (C 2632E) : 4000326240 For COMPACT 12 (C3347E) : 4000326260 For COMPACT 14 (C 3947E) : 4000325100
3	Other	Commercial name - Bright machine	2	For COMPACT 8 (C 2032E) : 3078147040 For COMPACT 8W (C 2047E) : 3078147060 For COMPACT 10 (C 2747E) : 3078147070 For COMPACT 10N (C 2632E) : 3078151050 For COMPACT 12 (C3347E) : 3078147080 For COMPACT 14 (C 3947E) : 307P229190

A

B

C

D

E

F

G

H

I

C - Machine layout

Marking	Color	Description	Quantity	
3	Other	Commercial name - Dark machine	2	For COMPACT 8 (C 2032E) : 307P224260 For COMPACT 8W (C 2047E) : 3078147060 For COMPACT 10 (C 2747E) : 4000418270 For COMPACT 10N (C 2632E) : 4000418260 For COMPACT 12 (C3347E) : 4000418250 For COMPACT 14 (C 3947E) : 4000206820
4	Other	Decal HAULOTTE® - Bright machine	2	307P217080
4	Other	Decal HAULOTTE® - Dark machine	2	307P224740
4	Other	Decal HAULOTTE® - Red machine	2	307P220360
6	Other	Identification plate	1	307P218930
11	Other	Lanyard attachment points	4	307P216290
12	Other	Material risk - Yellow and black adhesive tape	2	2421808660
16	Other	Max and min oil level	1	307P221060
17	Red	Risk of crushing	2	In english : 4000130190 In french : 4000130200 In spanish : 4000130210
18	Yellow	Risk of crushed hands	4	In english : 4000024770 In french : 4000067710 In spanish : 4000086490
19	Red	Operation instructions	1	4000025140
20	Red	Operation instructions	2	In english : 4000243670 In french : 4000243680 In spanish : 4000243690
23	Red	Risk of crushing - Driving direction	1	3078145100
27	Red	Verification of tilt operation	1	In english : 4000130300 In french : 4000130310 In spanish : 4000130320
32	Blue	Anchorage point - Traction	4	4000027310
34	Red	Risk of electrocution - Water projection	1	4000025130
36	Red	Emergency lowering-Platform	1	4000244340
53	Green	Emergency lowering-T-handle	1	4000227200
56	Yellow	Risk of electrocution - Charger - 110 V	1	4000419150
57	Blue	Position of the lift truck forks	4	3078143830
58	Red	Battery compartment locking	1	4000310170
59	Orange	Scissors safety	1	In english : 4000024850 In french : 4000068070 In spanish : 4000086500
61	Orange	Risk of crushed feet	2	In english : 4000024780 In french : 4000067700 In spanish : 4000086480
64	Green	Battery verification	1	4000274040
65	Orange	Hand crushing hazard - Battery	1	In english : 4000025030 In french : 4000068120 In spanish : 4000086550

C - Machine layout

Marking	Color	Description	Quantity	
68	Blue	Information-Transport height	1	For COMPACT 8 (C 2032E) : 4000417380 For COMPACT 8W (C 2047E) : 4000417400 For COMPACT 10 (C 2747E) : 4000417410 For COMPACT 10N (C 2632E) : 4000417390 For COMPACT 12 (C3347E) : 4000417420 For COMPACT 14 (C 3947E) : 4000417430
69	Blue	Information-Battery isolation switch	1	4000420660

A

B

C

D

E

F

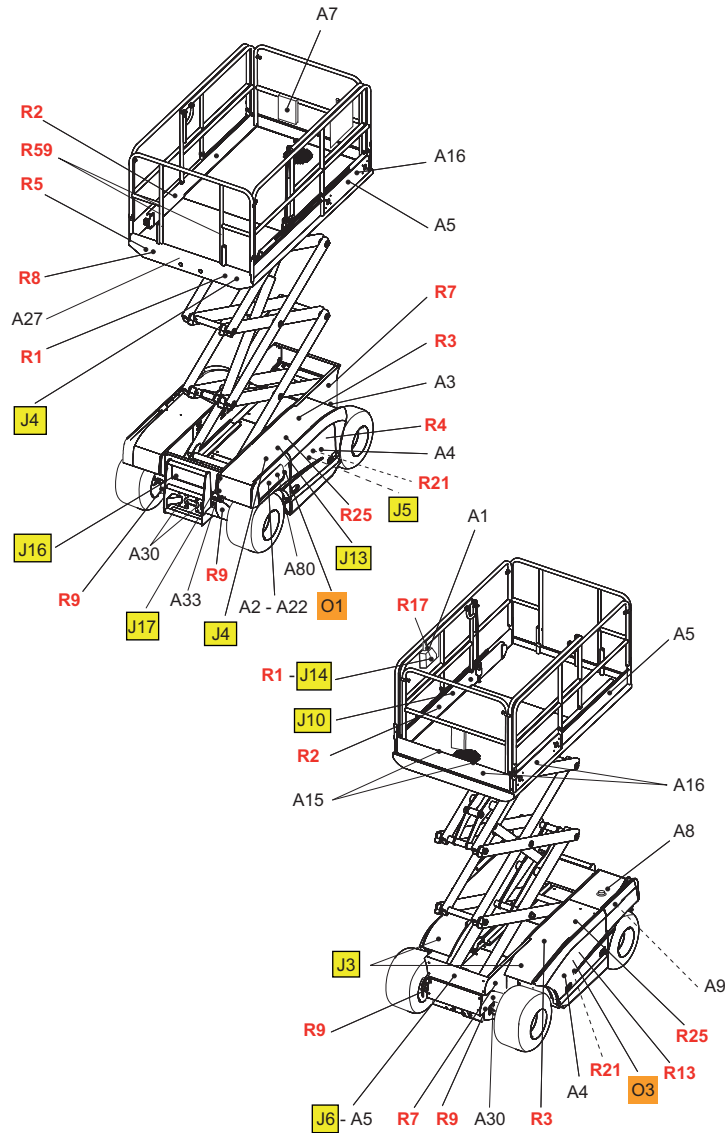
G

H

I

C - Machine layout

COMPACT 10RTE (COMPACT 2668RTE) - COMPACT 12RTE (COMPACT 3368RTE) - Locations - ANSI and CSA standards



C - Machine layout

COMPACT 10RTE (COMPACT 2668RTE) - COMPACT 12RTE (COMPACT 3368RTE) - Decal descriptions - ANSI and CSA standards

Marking	Color	Description	Quantity	
R1	Red	Height of the floor and load	2	For COMPACT 10RTE (COMPACT 2668RTE) : 3078148520 For COMPACT 12RTE (COMPACT 3368RTE) : 3078148530
R2	Red	Travel direction	1	3078147280
R3	Red	Risk of crushed hands	4	3078147240
R5	Red	Danger of electrocution	1	3078147400
R7	Red	Do not park in the work area	2	3078147380
R8	Red	Close the sliding rail	1	307P215820
R9	Red	Wheel load	4	For COMPACT 10RTE (COMPACT 2668RTE) : 307P219100 For COMPACT 12RTE (COMPACT 3368RTE) : 307P219110
R10	Red	Maximum effort on the stabilizers	4	For COMPACT 10RTE (COMPACT 2668RTE) : 307P217790 For COMPACT 12RTE (COMPACT 3368RTE) : 307P217800
R13	Red	Risk of crushed feet	2	3078147180
R17	Red	Do not travel down slopes in high speed	1	3078144360
R21	Red	Protective clothing required	1	3078147350
R23	Red	Use of stabilizers	1	3078144260
R24	Red	The cylinders must be retracted	1	3078144280
R25	Red	Battery drawer lock	1	3078148460
R59	Red	Red general danger	2	307P230010
O1	Orange	Operation instructions	1	3078149050
O3	Orange	Risks of explosion	1	3078148030
J3	Yellow	Do not place your foot on the cover	2	3078147270
J4	Yellow	Do not use the machine as a welding earth	1	3078147220
J5	Yellow	Brake release	1	3078150540
J6	Yellow	Verification of tilt operation	1	3078147090
J10	Yellow	Socket	1	3078148900
J13	Yellow	Battery verification	1	3078147330
J14	Yellow	Using the machine during battery charging is forbidden	2	3078147420
J16	Yellow	Emergency lowering	1	3078151460
J17	Yellow	Socket connection	1	3078147580
A1	Other	Platform control box If outriggers option	1	307P227930
A1	Other	Platform control box	1	307P218870
A2	Other	Ground control box	1	307P217630
A3	Other	Identification plate	1	307P218930
A4	Other	Machine name logo	2	For COMPACT 10RTE (COMPACT 2668RTE) : 307P219080 For COMPACT 12RTE (COMPACT 3368RTE) : 307P219090
A5	Other	Small format HAULOTTE® logo	2	307P217230
A7	Other	Read the operation manual	1	3078147290
A8	Other	Hydraulic oil	1	3078147140
A9	Other	Max and min oil level	1	3078147210
A15	Other	Harness anchor point location	4	3078147950
A16	Other	Yellow and black adhesive tape	1	2421808660
A22	Other	Voltage table	1	3078147890

C - Machine layout

Marking	Color	Description	Quantity	
A27	Other	Permissible load	1	For COMPACT 10RTE (COMPACT 2668RTE) : 3078150090 For COMPACT 12RTE (COMPACT 3368RTE) : 3078150100
A30	Other	Machine tie down points	4	3078147930
A33	Other	Battery charger socket	1	307P219120
A80	Other	Emergency lowering location	1	307P227210
R4	Green	Risk of crushing	1	4000227200

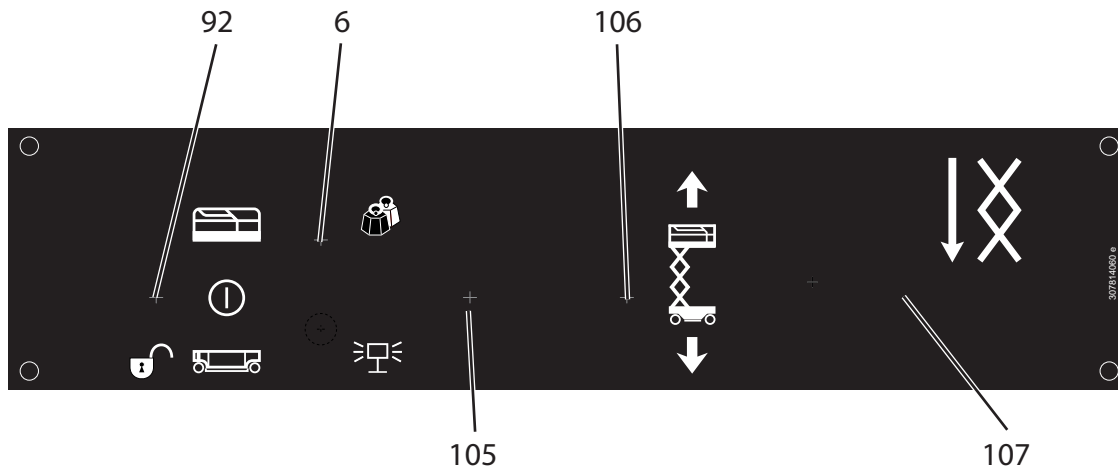
C - Machine layout

5 - Control boxes

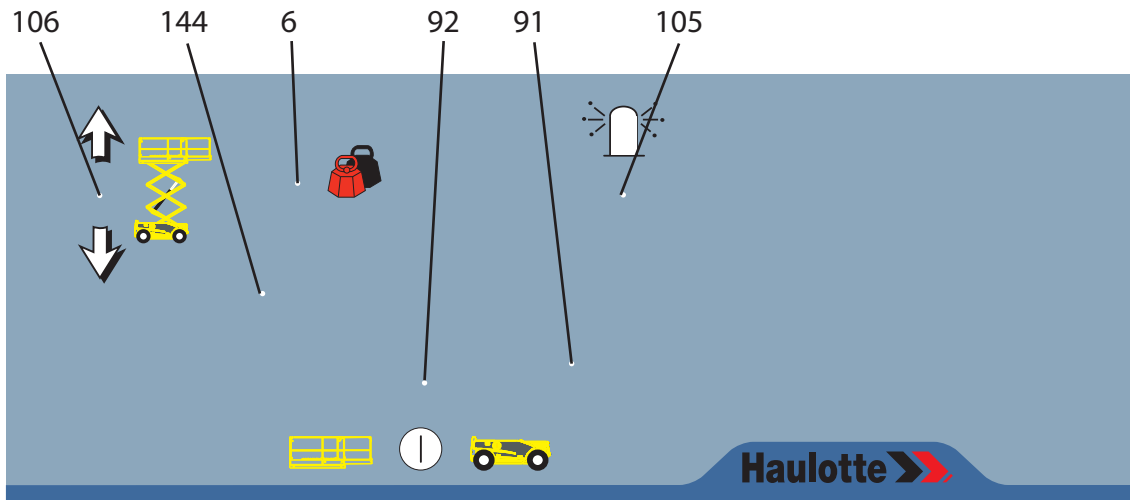
N.B.:-The functions are described for the entire range. Refer to the machine model to identify the controls and functions indicators.

5.1 - GROUND CONTROL BOX - EMERGENCY CONTROL BOX

General view - COMPACT 8 (COMPACT 2032E) - COMPACT 8W (COMPACT 2047E) - COMPACT 10 (COMPACT 2747E) - COMPACT 10N (Compact 2632E) - COMPACT 10N-1 - COMPACT 12 (COMPACT 3347E) -COMPACT 14 (COMPACT 3947E)



General view - COMPACT 10RTE (COMPACT 2668RTE) - COMPACT 12RTE (COMPACT 3368RTE)



C - Machine layout

Controls and indicators

Marking	Description	Function
6	Platform overload indicator	Platform overload indicator
91	Hour meter-Battery charging indicator	Total machine running hours-Battery charger status
92	Control box activation key selector ⁽¹⁾	Move upwards : Platform control box energized
		Center : De-energizes control system
		Move downwards : Ground control box energized
93	Battery charging indicator ⁽²⁾	Battery charge level status during battery charging
105	Flashing light selector	Move upwards : Switching on the flashing light
		Move downwards : Switching off the flashing light
106	Platform raising / lowering selector ⁽³⁾	Move upwards : Platform raises
		Move downwards : Platform lowers
107	Pull T-handle for emergency lowering	Pulled out : Platform lowers
		Release : Stops platform lowering
144	E-stop button-Cut-off	Pulled out : Ground control box energized
		Pushed in : De-energizes control system

(1.) Depending on the machine
(2.) Depending on the machine
(3.) Depending on the machine

Photo COMPACT 8 (COMPACT 2032E) - COMPACT 8W (COMPACT 2047E) - COMPACT 10 (COMPACT 2747E) - COMPACT 10N (Compact 2632E) - COMPACT 10N-1 - COMPACT 12 (COMPACT 3347E) - COMPACT 14 (COMPACT 3947E)



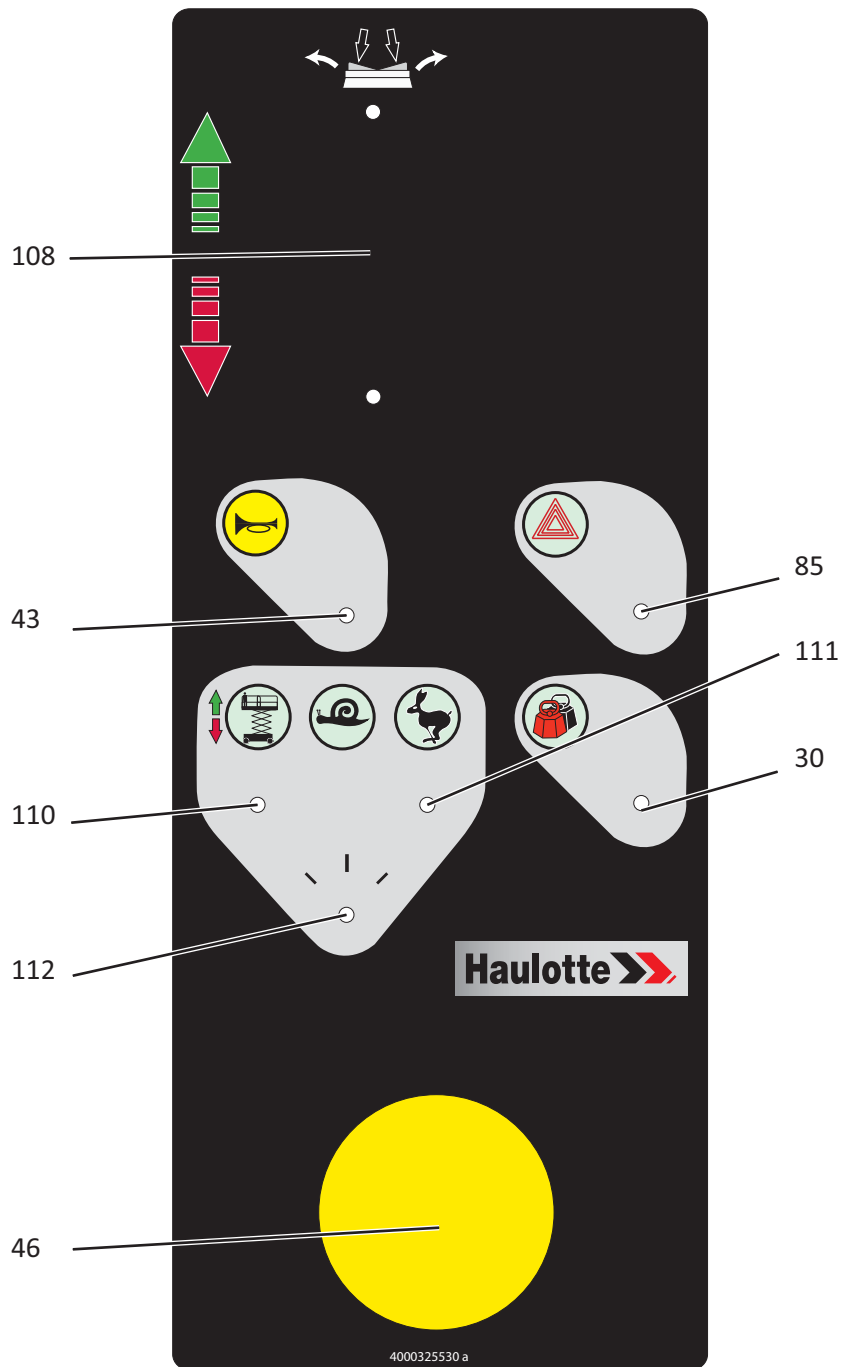
E-stop button COMPACT 8 (COMPACT 2032E) - COMPACT 8W (COMPACT 2047E) - COMPACT 10 (COMPACT 2747E) - COMPACT 10N (Compact 2632E) - COMPACT 10N-1 - COMPACT 12 (COMPACT 3347E) -COMPACT 14 (COMPACT 3947E)



C - Machine layout

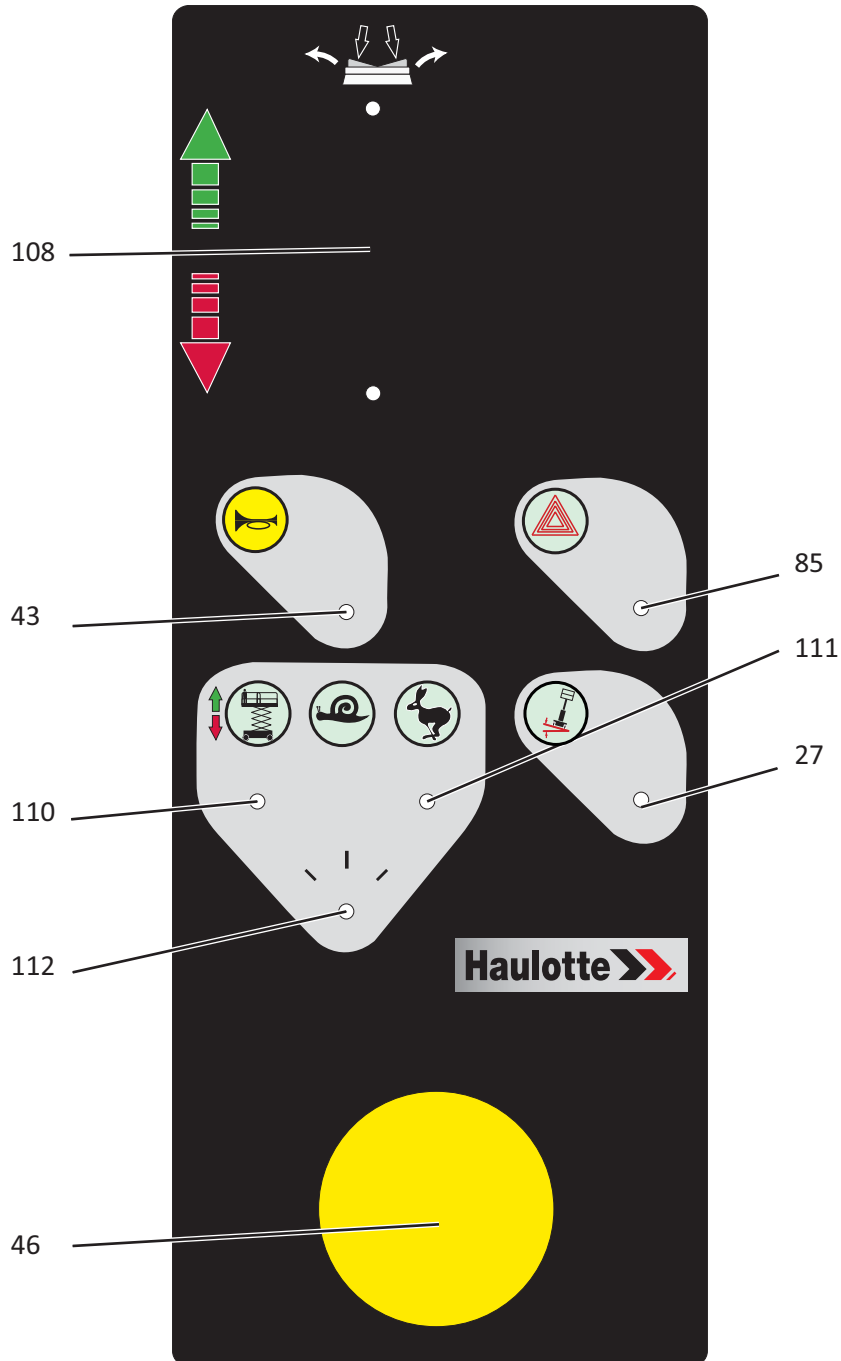
5.2 - PLATFORM CONTROL BOX

General view - CE and AS standards - COMPACT 8 (COMPACT 2032E) - COMPACT 8W (COMPACT 2047E) - COMPACT 10 (COMPACT 2747E) - COMPACT 10N (COMPACT 2632E) - COMPACT 10N-1 - COMPACT 12 (COMPACT 3347E) - COMPACT 14 (COMPACT 3947E)





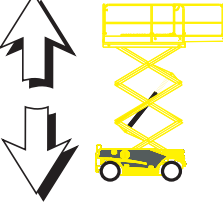
C - Machine layout

General view - ANSI and CSA standards - COMPACT 8 (COMPACT 2032E) - COMPACT 8W (COMPACT 2047E) - COMPACT 10 (COMPACT 2747E) - COMPACT 10N (COMPACT 2632E) - COMPACT 10N-1 - COMPACT 12 (COMPACT 3347E) - COMPACT 14 (COMPACT 3947E)



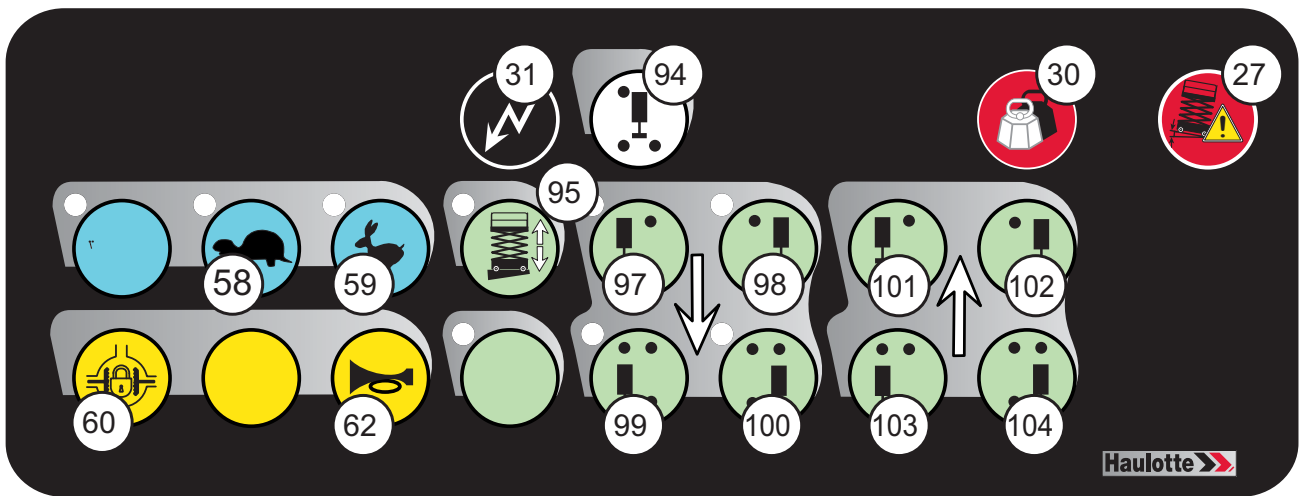
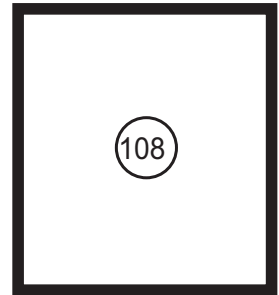
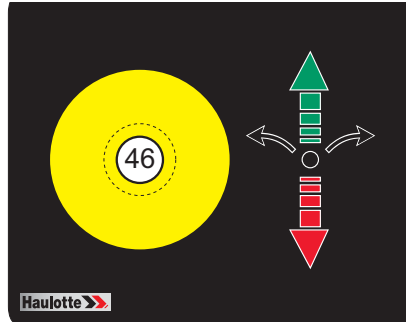
C - Machine layout

Controls and indicators

Marking	Description	Function
27	Tilt indicator	Machine on excessive slope
30	Overload indicator	Platform overloaded
43	Horn button	Horn
46	E-stop button	Pulled out : Ground control box energized Pushed in : De-energizes control system
85	Fault indicator	Fault indicator Faulty or tilting or overloaded machine
108	Movement joystick	Move forward : Forward drive or platform raising
		Move backwards : Reverse drive or platform lowering
	Front axle steering selector	Press right side of button : Right-hand steering Press left side of button : Left-hand steering
110	Elevation / Lowering selection indicator	On : Raising / Lowering selection activated Off : Raising / Lowering movement is not selected
111	Driving selection indicator	On : Driving function activated Off : Driving movement is not selected
		 high-speed driving
		 low-speed driving
112	3-position selector	 Platform elevation/lowering

C - Machine layout

If outriggers option - Compact 10/12 RTE (Compact 2668 / 3368 RTE) - General view



C - Machine layout

If outriggers option - Compact 10/12 RTE (Compact 2668 / 3368 RTE) - Controls and indicators

Marking	Description	Function
27	Tilt indicator	Machine on excessive slope
30	Platform overload indicator	Platform overload
31	Power ON indicator	On : Machine switched on Off : Machine switched off
46	E-stop button	Pulled out : Ground control box energized Pushed in : De-energizes control system
58	Medium-drive speed selector switch and indicator	Pressed down (activated and LED on) : Medium-drive speed selection (difficult ground, slope)
59	High-speed drive selector switch with indicator light	Pressed down (activated and LED on) : High-speed drive selection (for long distance)
60	Differential lock selector switch	Pressed down (activated) : Differential blocking selection
62	Horn selector switch	Pressed down (activated) : Horn
94	Centralized outriggers selector switch	Pressed down (activated) : Automatic stabilizer lowering until the machine is stabilized
95	Platform raising/lowering selector switch and indicator	Pressed down (activated and LED on) : Platform raising/lowering selection
97	Front left stabilizer extension selector switch and indicator	Pressed down (activated) : Stabilizer extended and LED on (continuously: stabilizer extended and set against the ground; rapid flashing: stabilizer extended but not yet set; slow flashing: stabilizer totally extended but not set)
98	Front right stabilizer extension selector switch and indicator	Pressed down (activated) : Stabilizer extended and LED on (continuously: stabilizer extended and set against the ground; rapid flashing: stabilizer extended but not yet set; slow flashing: stabilizer totally extended but not set)
99	Rear left stabilizer extension selector switch and indicator	Pressed down (activated) : Stabilizer extended and LED on (continuously: stabilizer extended and set against the ground; rapid flashing: stabilizer extended but not yet set; slow flashing: stabilizer totally extended but not set)
100	Rear right stabilizer extension selector switch and indicator	Pressed down (activated) : Stabilizer extended and LED on (continuously: stabilizer extended and set against the ground; rapid flashing: stabilizer extended but not yet set; slow flashing: stabilizer totally extended but not set)
101	Front left stabilizer retraction selector switch	Pressed down (activated) : Stabilizer retraction and corresponding LED off during lowering P97
102	Front right stabilizer retraction selector switch	Pressed down (activated) : Stabilizer retraction and corresponding LED off during lowering P98
103	Rear left stabilizer retraction selector switch	Pressed down (activated) : Stabilizer retraction and corresponding LED off during lowering P99
104	Rear right stabilizer retraction selector switch	Pressed down (activated) : Stabilizer retraction and corresponding LED off during lowering P100
108	Movement joystick	Move forward : Forward drive or platform raising Move backwards : Reverse drive or platform lowering
	Front axle steering selector	Press right side of button : Right-hand steering
		Press left side of button : Left-hand steering

C - Machine layout

Photo - COMPACT 8 (COMPACT 2032E) - COMPACT 8W (COMPACT 2047E) - COMPACT 10 (COMPACT 2747E) - COMPACT 10N (COMPACT 2632E) - COMPACT 10N-1 - COMPACT 12 (COMPACT 3347E) - COMPACT 14 (COMPACT 3947E)




D - Operating principle

1 - Description

Machine movements are powered by a hydraulic pump.

The hydraulic pump is powered by an battery-powered electric motor.

To protect the user and the machine, safety systems prevent the operation of the machine beyond its capacities.  Section G Technical specifications

These security systems if activated, immobilize the machine and neutralize the movements.



Poor knowledge of the characteristics and operation of the machine can lead the operator to think that a normal safety operation is a malfunction.

A

B

C

D

E

F

G

H

I

D - Operating principle

2 - Safety devices

2.1 - ACTIVATION OF CONTROLS

The controls must be validated by a 'Enable Switch' system to activate the different movements.

The 'Enable Switch' system depends on the machine configuration and will consist of one of the following :

- Joystick handle.
- Pedal (foot switch).
- Enable switch.

2.2 - DRIVE SPEED

All driving speeds are authorised when the machine is folded, (machine in transport position).

The maximum travelling speeds are reduced when the following lifting height is reached :



Machine	Transport configuration limit height	
	Mètre	Feet
COMPACT 8 (COMPACT 2032E)	1,60	5 ft 3 in
COMPACT 8W (COMPACT 2047E)	1,75	5 ft 9 in
COMPACT 10N (COMPACT 2632E)	1,55	5 ft 1 in
COMPACT 10 (COMPACT 2747E)	1,80	5 ft 11 in
COMPACT 12 (COMPACT 3747E)	1,85	6 ft 1 in
COMPACT 14 (COMPACT 3947E)	2,45	8 ft 0 in
COMPACT 10 / 12RTE (COMPACT 2668 / 3368RTE)	2,70	8 ft 10 in

For C8 (COMPACT 2032E) - C8W (COMPACT 2047E) - C10N (COMPACT 2632E) - C10 (COMPACT 2747E) - C12 (COMPACT 3347E) - C14 (COMPACT 3947E) :

When not in the above-described transport position, the low speed is engaged automatically.

For C10RTE (COMPACT 2668RTE) - C12RTE (COMPACT 3368RTE) :

When not in the above-described transport position, the micro speed is engaged automatically.

Driving is cut off if the tilt exceeds the authorized limit.

The electronic variable speed unit controls movement and driving speed.

It receives information from the control joystick concerning the movements to be performed.

It also manages the safety systems status.

Poor knowledge of the characteristics and operation of the machine can lead the operator to think that a normal safety operation is a malfunction.

D - Operating principle

2.3 - ANTI-CRUSH SYSTEM WHEN LOWERING

A device alerts people on the ground of a risk of crushing :

- Between the lifting systems.
- Under platform extension.

This device automatically operates between the transport height position limit and the lower position (Refer to Driving speed)

All versions, lowering control from the platform and ground control boxes :

- Slows the downward movement and emits an audible signal.

Standard CE, lowering movement from platform control box :

- At the end of the lowering operation, a 3 (second) automatic delay is initiated before resuming lowering, to avoid the risk of crushing.

2.4 - THERMOSTAT LOCATION / LIMITATION

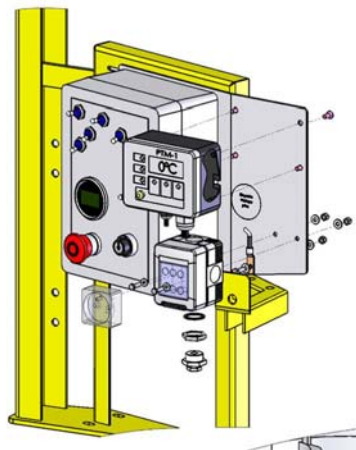
For Russia and the Ukraine only :

Hydraulic energy to perform machine movements is provided by an electric motor driven hydraulic pump. The operating speed of the pump is governed by a speed regulator. If the temperature limits are reached, an audible alarm alerts the operator. All movements are cut off except getting back to transport position.

Temperature limits :

- Electric machines : from 0° to + 40°
- Fuel-powered machines : from - 20° to + 40°

Location of operating temperature thermostat



D - Operating principle

2.5 - LOAD LIMITING IN THE PLATFORM (IF FITTED)

The overload limitation system activates if the heights defined in the "Transport position maximum height" table are exceeded.

If the platform load exceeds the maximum allowed load, no movement is possible from the platform control box.

The platform overload indicator and the buzzer warn the operator that the overload condition exists..

To return the machine to normal operation remove some weight from the platform.



2.6 - CHASSIS TILT

The tilt sensor alert the operator when it reaches the maximum allowable tilt, above 1,50 m(4 ft11 in) m.

Drive and elevation controls are cut if this situation lasts longer than 1 or 2 s.

To restore the drive function, only movements allowing the machine to be stowed are permitted :

- Platform lowered.

2.7 - POTHOLE PROTECTION SYSTEM

For C8 (COMPACT 2032E) - C8W (COMPACT 2047E) - C10N (COMPACT 2632E) - C10 (COMPACT 2747E) - C12 (COMPACT 3347E) - C14 (COMPACT 3947E) :

A system of protection against the holes on road is spread automatically when the platform is raised above values quoted in the table  Vitesse de translation. Only micro-speed is possible in this position. If the pothole protection are not extended, micro-speed and platform elevation are automatically cut. As soon as the platform is below values quoted in the table  Vitesse de translation and that control into large and low speed are engaged, the anti-tipping over devices return automatically



The lifting height depends on the model of the machine. Refer to  Vitesse de translation.

D - Operating principle

2.8 - BATTERY DISCHARGE INDICATOR-HOUR METER

For : C8 (COMPACT 2032E) - C8W (COMPACT 2047E) - C10N (COMPACT 2632E) - C10 (COMPACT 2747E) - C12 (COMPACT 3347E) - C14 (COMPACT 3947E)

The battery charger-hour recorder combines 3 functions :

- Battery charger status
- Hour meter
- Automatic reset



For : C10RTE (COMPACT 2668RTE) - C12RTE (COMPACT 3368RTE)

The battery charger-hour recorder combines 3 functions :

- Battery charger status
- Hour meter
- Automatic reset



For : C8 (COMPACT 2032E) - C8W (COMPACT 2047E) - C10N (COMPACT 2632E) - C10 (COMPACT 2747E) - C12 (COMPACT 3347E) - C14 (COMPACT 3947E)

Battery charged : The green diodes are on.

The battery discharges : The diodes go out one after the other.

Battery discharged : The red LED lights up. Elevation is cut and driving is still possible.

For : C10RTE (COMPACT 2668RTE) - C12RTE (COMPACT 3368RTE)

10 bars are displayed : 2 red-3 orange-2 green

Battery charged : The green diode on the left lights up.

The battery discharges : The diodes light up from left to right.

- Battery discharged 70 % : 1 red diode flashes. The battery needs recharging.
- Battery discharged 80 % : 2 red diodes flash. The batteries must be recharged. The movement ascent is stopped.

D - Operating principle

2.8.1 - Hour meter

It totals up :

- Machine operating hours (the egg timer flashes).

2.8.2 - Automatic reset

The automatic restart is coming up at a certain voltage level.

The automatic restart doesn't mean that the battery is fully charged.

Only the indicator of the charger gives the real state of the batteries charge.

2.9 - ON-BOARD CHARGER

The on-board charger is used to charge the semi-drive batteries.

Battery charging starts as soon as external power supply is connected.

The (93) indicator indicates charge status :

- Green LED : Battery charged 100 %.
- Yellow LED : Battery charged 80 %.
- Red LED : Battery in initial charging phase.

If a fault occurs, the indicator flashes in different colours, depending on the type of fault (See machine maintenance book). The audible beep sounds.

D - Operating principle

2.10 - MANUAL EXTENSION

Machines are equipped with manual extension with several possible positions.

For : C8 (COMPACT 2032E) - C8W (COMPACT 2047E) - C10N (COMPACT 2632E) - C10 (COMPACT 2747E) - C12 (COMPACT 3347E) - C14 (COMPACT 3947E)

- Press the pedal.
- Push to the required notch.



For : C10RTE (COMPACT 2668RTE) - C12RTE (COMPACT 3368RTE)

- Grasp and lift the handles to 90 °.
- Push the handles to open or close the extension.
- Place the handles in the initial position to lock the extension.



N.B.-:-Do not load the extension deck, for ease of manoeuvring.



The manual extension must be retracted and locked during transport or towing.

2.11 - DRIVE BUZZER

For Russia and the Ukraine only :

Each travel or lifting movement activates a buzzer (horn).

D - Operating principle



Notes

E - Driving

1 - Recommendations

The manager of the company responsible for the commissioning of the machine must ensure that the machine is fit for the work it is to perform. i.e. that the machine is suitable to carry out the work in complete safety in compliance with this Operator Manual. All managers who are responsible for persons operating the machine, must be familiar with the regulations currently applicable in the country of use and ensure that they are adhered to.



Before using the machine, read the previous chapters in this manual. Ensure that you have understood the following points :

- Safety precautions.
- Operator's responsibilities.
- Conditions and the operating principles of the machine.

N.B.:-The machine reaches optimum performance (speed of movement, load capacity) when the temperature of the oil in the hydraulic circuit is greater than 10°C. After a prolonged period of disuse at a lower temperature, lifting and lowering the platform several times without any load and performing a few translation movements is enough to restore the machine's nominal performances.

2 - Checks before use

Each day and before the beginning of a new work period and with each change of operator, the machine must be subjected to a visual inspection and a complete functional test.

Any repairs required must be performed before the machine is used, its correct operation depends on it.



Find all the function indicators and controls in  Section C 5 - Control boxes

E - Driving

2.1 - VISUAL INSPECTIONS

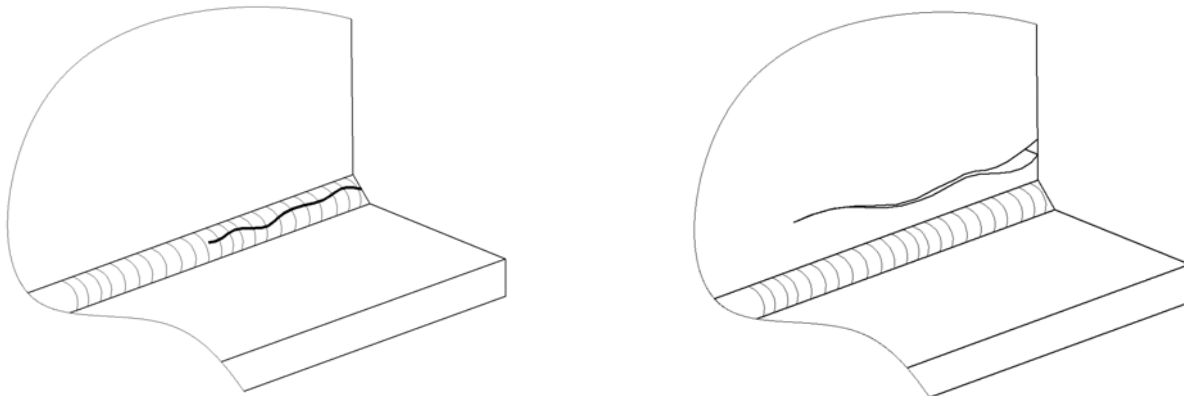
2.1.1 - General mechanical functions

For all the following checks, ensure that the machine is switched off.

Check the following points :

- The presence of the identification plate, decals and operator manual :
 - Their state of cleanliness and visibility.
 - Clean or replace if necessary.
- Visual state of the machine :
 - No leaks (battery acid, hydraulic oil, etc.). No foreign objects on all surfaces. Call the staff in charge of the maintenance if necessary.
 - No missing or loose parts (bolts, nuts, connectors, cables, etc.). Refer to the "tightening torques" table quoted in the Maintenance Book.
 - No cracks, broken weld, paint chipped. No deformations or other anomalies on the structure's parts.

Example




- Cylinders' state :
 - No leaks. Refer to the Maintenance manual.
 - No rust and abrasions on the cylinder rod.
 - No foreign objects on all surfaces.
- Steering system's state : wheels, reducers, brakes and tires/tyres :
 - No cracks, distortions, damaged paint or other faults
 - No missing or loose bolts. Refer to the "tightening torques" table quoted in the Maintenance Book.
 - Condition of the tires / tyres (cuts, excessive wear, etc.).

E - Driving

- Status of the control boxes :
 - No damage.
 - Back to neutral for all joysticks, selectors, etc..
 - Presence and readability of the control box decals.
- Movement, safety limit switches :
 - No damage.
 - No missing or loose bolts. Refer to the "tightening torques" table quoted in the Maintenance Book.
 - No foreign objects on all surfaces.
- The state and connection of the electric wires and cables :
 - No damage, wear marks or other faults.
 - No contact between connectors.
- State of the hydraulic unit and pump :
 - No leaks.
 - No missing or loose parts (bolts, nuts, connectors, cables, etc.).
 - Hydraulic oil filter. Refer to the Maintenance manual.
- State of the structure's parts : Arm, platform :
 - No cracks, damaged paint.
 - No distortion in metal components or visible damage.
 - No foreign objects between arms.
 - Guardrails are present and locked in place.
 - Presence and check the original position of the platform control box sliding bar.

Brake release components :





- No leaks.
- No cracks, damaged or missing parts.
- Brake release tap is screwed in completely.  Section F 2.1 Manual brake release
- State of the tanks :
 - No leaks.
 - No missing or loose parts (bolts, nuts, connectors, cables, etc.). Top up the oil level, if necessary (Machine in transport position).

E - Driving

2.1.2 - Environment

 Section A -Safety precautions.

Check the following points :


- Wind speed ( Section G 1-Main characteristics).
- The permissible ground pressure and loading on the machine supporting surface ( Section G 1-Main characteristics).
- The maximum permissible load in the platform ( Section G 1-Main characteristics).
- The maximum permissible lateral force allowed at the platform ( Section G 1-Main characteristics).

2.2 - FUNCTIONAL TESTS


2.2.1 - Safety features

Features to be tested :

- Operation of the upper and lower E-stop buttons.
- Operation of the tilt sensor.
- Visual and audible alarms.
- Platform load management system (Where fitted).

For functional test procedures refer to ( Section E 3.1-Test procedure).

2.2.2 - Ground box controls (emergency station)


Refer to the corresponding operations to test the controls in the order mentioned ( Section E 3.2-Operation from ground position).

Step	Control
1	Control box activation key selector(72) or (92)(Depending on the machine)
2	Movements : Platform raising / lowering(106)
3	Flashing light selector(105)
4	Horn button 43 ⁽¹⁾

(1.) For machines fitted with

E - Driving

2.2.3 - Platform box controls (driving station)

Refer to the corresponding operations to test the controls in the order mentioned ( Section E 3.3-Operations from the platform).

Step	Control
1	Control box activation key selector 72 or 92 (Depending on the machine)
2	Energizes control system 46
2	Steering (108), driving (112) and indicator (111) selector
3	Driving (108) and steering (112) and 111
4	Drive and steering (108) movements
5	selector : Platform raising / lowering(110) and (112) or (95)
5	Movement : Platform raising / lowering (108) or (95)
6	Horn button 43

2.3 - PERIODICAL CHECKS

The machine must be inspected on a regular basis at intervals in accordance with the requirements set forth in the Country of use but no less than once per year. The purpose of the inspection is to detect any defect which could lead to an accident during routine use of the machine.

These inspections must be carried out by a competent company or person whose selection is under the responsibility of the manager (Company employee or other).

The inspection results must be recorded in the safety register or machine log book controlled and overseen by the company manager. This register or machine log book and the list of competent repair persons must be made available to the Government Work Inspector and company safety committee at any time.

N.B.-:  *Section H Intervention register*

2.4 - REPAIRS AND ADJUSTMENTS

Extensive repairs, interventions or adjustments on the safety systems or elements must be performed by a HAULOTTE Services® employee or a HAULOTTE Services®-approved employee with HAULOTTE Services® training, using original spare parts only.

HAULOTTE Services® technicians are specially trained to carry out extensive repairs, interventions or adjustments on the safety systems or elements of HAULOTTE® machines. They carry genuine HAULOTTE spare parts and tools as required, and also provide fully documented reports on all work completed.

HAULOTTE Services® will not take responsibility for any consequential outcomes resulting from inferior services/repairs carried out by others.

HAULOTTE advises you that NO modifications carried out without the written permission of HAULOTTE® will void the HAULOTTE warranty..

E - Driving

2.5 - INSPECTION / TESTING REQUIREMENTS

Intervention to be made after :

- Extensive dismantling and reassembly.
- Repairs involving the machine's essential components.
- Any accident causing stress to the machine.

Perform a fitness for function inspection, a condition inspection and static and dynamic tests (Consult the After-Sales Service HAULOTTE Services®).

E - Driving

3 - Operation

N.B.:-The functions are described for the entire range. Refer to the machine model to identify the controls and functions indicators.



Find all the function indicators and controls in  Section C 5 - Control boxes

3.1 - TEST PROCEDURE

3.1.1 - E-stop switch- button function (cut out)

Ground control box E-stop button

Step	Action
1	Pull the E-stop switch- buttons (cut-off) 144, 46
2	Switch the machine on 72 or 92(Depending on the machine).
3	Turn the (72) or (92) control box activation keyed selector switch to the right to energize the ground control box(Depending on the machine). The indicators light up.
4	Push the E-stop switch- push button (cut-off) 144. The indicator goes out.

Platform control box E-stop button

Step	Action
1	Pull the E-stop switch- buttons (cut-off) 144, 46
2	Switch the machine on 72 or 92(Depending on the machine).
3	Turn the (72) or (92) control box activation selection key to the left to activate the platform control box(Depending on the machine). The indicators light up.
4	Push the E-stop switch- push button (cut-off) 46. The indicator goes out.

E - Driving


3.1.2 - Tilt sensor switch operation



Machine unfolded, the slope sensor gives an audible signal telling the operator that the machine should not be deployed. In this case, fully lower the platform and reposition the machine on level ground before raising the platform again.

For : COMPACT 8 (COMPACT 2032E) - COMPACT 8W (COMPACT 2047E) - COMPACT 10N (COMPACT 2632E) - COMPACT 10 (COMPACT 2747E) - COMPACT 12 (COMPACT 3347E) - COMPACT 14 (COMPACT 3947E) - COMPACT 10RTE (COMPACT 2668RTE) - COMPACT 12RTE (COMPACT 3368RTE)

N.B.-: Depending on your machine configuration, outside assistance may be necessary in order to carry out this operation.

1. Pull the E-stop push-buttons on the platform and ground control boxes (15, 46).
2. Switch on the machine from the ground control box (72).
3. Locate the tilt sensor next to the ground control box.
4. Manually tilt and maintain the tilt sensor towards the front for a few seconds ( Section C 2-Main components) :
5. The audible beep sounds.
6. For machines fitted with : The slope sensor prevents lifting and driving movements.

N.B.-: The tilt cut off driving and elevation movements for every machine except for ANSI versions.

Tilt



Messages delivered by the tilt detector

indicator Status	Description
Lit green LED	Machine in authorized angular position
Blinking green LED	Machine exceeding the angular limit within the authorized time
LED red lit	Machine exceeding the authorized angular limit
Green LED and reds lit	Fault detector
Green LED and red twinkling	Detector in autotest

E - Driving

3.1.3 - Visual and sound alarms

1. Pull the E-stop switch- buttons (cut-off) (144, 46).
2. Switch the machine on (72) or (92)(Depending on the machine). All of the ground control box indicators light up and a sound signal (beep) is emitted.


3.1.4 - Weighing system

Check the overload limitation device every 6 following the procedure below :

- Place the machine on flat and firm ground.
- Stow the machine completely.
- Retract the extensions.
- Use suitable handling equipment to position the test load (see table) in the centre of the platform.

Load table

Model	Test load	Model	Test load
Compact 8 (Compact 2032E)	450 kg (992 lbs)	Compact 12 (Compact 3347E)	400 kg (882 lbs)
Compact 8 CU	400 kg (882 lbs)	Compact 14 (Compact 3947E)	450 kg (992 lbs)
Compact 8W (Compact 2047E)	600 kg (1323 lbs)	Compact 10RTE (Compact 2668RTE)	750 kg (1654 lbs)
Compact 10 (Compact 2747E)	600 kg (1323 lbs)	Compact 12RTE (Compact 3368RTE)	600 kg (1323 lbs)
Compact 10N (Compact 2632E)	300 kg (662 lbs)		

- Pull the E-stop switch- buttons (cut-off) (144, 46).
- Turn the (72) or (92) control box activation keyed selector switch to the right to energize the ground control box.
- Activate the raising/lowering selector 0,10 m (4 in) upwards to lift the platform by *2 over the specified upper transport position limit.  Drive speed
- Stop the movement.
- Check that the platform overload indicator (30) for the upper console is active and that a warning signal (bip) is audible.
- If this result is not obtained, the overload limitation system must be restored to working order. Please refer to the Maintenance book or contact HAULOTTE Services®.

E - Driving

3.1.5 - 8 m(26 ft3 in) drive cut-off (Floor height)



For C10RTE / C12RTE machine only :

1. Always ensure that the chassis is never driven any closer than 2 m(6 ft7 in) to holes, bumps, slopes, obstructions, debris and ground coverings that may hide holes and other dangers.
2. From the platform control box, set the gear selector (112) to microspeed position.
3. Raise the platform at 8 m(26 ft3 in) minimum (Floor height)
4. Push the movement joystick (108) forwards to move the machine forwards
5. No travel movement has to be performed from the platform control box.

E - Driving

3.2 - OPERATION FROM GROUND POSITION



The ground control box is an auxiliary control box to use in emergencies only.

3.2.1 - Machine start-up

1. Pull the E-stop button 144.
2. Switch the machine on 72 or 92(Depending on the machine).
3. Turn the key of the control box activation selector (72) to the right to energize the ground control box.

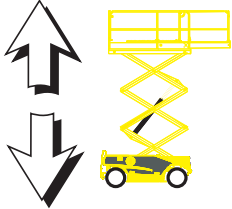

3.2.2 - Machine shutdown

- Turn the control box activation selector (72) key to the center.
- Push in the E-stop switch- push button (cut-off)(114).

3.2.3 - Movement control

N.B.-:-Hold the (72) control box activation keyed selector switch to perform movements.

Ground box controls (emergency station)

Control	Action
Platform raising / lowering 	Push the platform raising / lowering selector (106) upwards to raise the platform.
	Press the platform raising / lowering selector (106) downwards to lower the platform.
Emergency lowering / Emergency platform lowering halted 	Pull the emergency handle (107) to lower the platform.
	Release the emergency handle (107) to stop platform lowering.



Once rescue operations are complete, write an incident report .

E - Driving

Pull T-handle for emergency lowering



N.B.:-Releasing the (72) key or (106) selector stops movement.

3.2.4 - Other controls

- Switching from the ground control box to the platform control box :



The E-stop cut-off switch- button (15) must be pulled out.

- Turn the key on the control box activation selector switch (72) to the left to energize the platform control box. The ground box controls are de-energized.

E - Driving

3.3 - OPERATIONS FROM THE PLATFORM

3.3.1 - Machine start-up

Pull the E-stop button 46.

3.3.2 - Machine shutdown








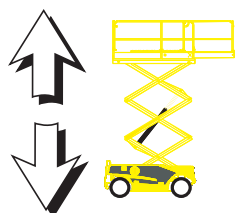
Push in the E-stop button (46).

3.3.3 - Movement control









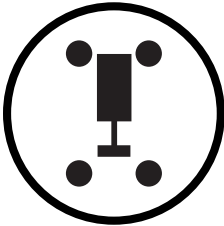
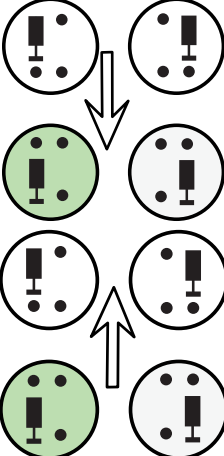
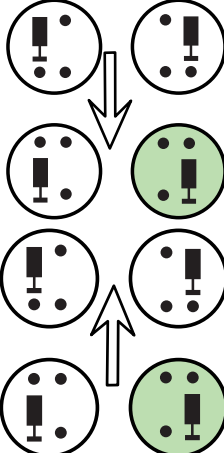


Activate the controls and the 'Enable Switch' system simultaneously to perform the various movements.

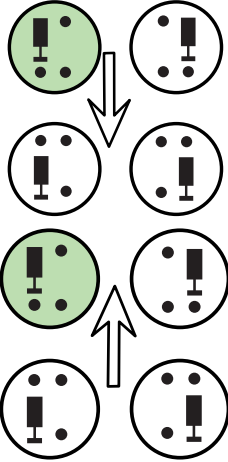
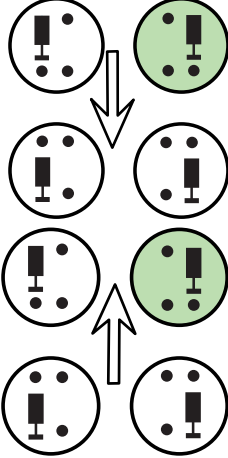
Platform box controls (driving station)

Control	Action
Driving ⁽¹⁾ .	 <p>Push the movement joystick (108) forwards to move the machine forwards.</p>
	<p>Push the movement joystick (108) forwards to reverse the machine.</p>
If outriggers option : Driving ⁽²⁾ .	 <p>Set the driving speed selector to :</p> <ul style="list-style-type: none">  : Low speed (58)  : Fast speed (59) <p>Push the movement joystick (108) forwards to move the machine forwards.</p>
	<p>Set the driving speed selector to :</p> <ul style="list-style-type: none">  : Low speed (58)  : Fast speed (59) <p>Push the movement joystick (108) forwards to reverse the machine.</p>
Front-axle steering	 <p>Push the front-axle steering selector thumb switch (108) to the right to steer to the right.</p>
Platform raising / lowering	<p>Push the front-axle steering selector thumb switch (108) to the left to steer to the left.</p>
	 <p>Push the movement joystick (108) forwards to raise the platform.</p>
	<p>Push the movement joystick (108) backwards to lower the platform. ⁽³⁾. ⁽⁴⁾.</p>

E - Driving

Control	Action
<p>Drive speed (minimum)</p>  	<p>Set the movement selector (112) to  for high speed (long distance driving, tarmac, concrete).</p> <hr/> <p>Set the movement selector (112) to  for slow driving (short distance, final approach).</p>
<p>If outriggers option : Drive speed (minimum)</p>  	<p>Set the movement selector (59) to  for high speed (long distance driving, tarmac, concrete).</p> <hr/> <p>Set the movement selector (58) to  for slow driving (short distance, final approach).</p>
<p>If outriggers option : Centralised stabilizer</p> 	<p>Push the centralised outriggers touch pads (94) until the machine is stabilized (LED on)</p>
<p>If outriggers option : Front left stabilizer extension/retraction</p> 	<p>Push the touch pads (97) until the front left stabilizer is set against the ground (LED on). Push the touch pads (101) until the front left stabilizer is totally retracted (LED off).</p>
<p>If outriggers option : Front right stabilizer extension/retraction</p> 	<p>Push the touch pads (98) until the front right stabilizer is set against the ground (LED on). Push the touch pads (102) until the front right stabilizer is totally retracted (LED off).</p>

E - Driving

Control	Action
<p>If outriggers option : Rear left stabilizer extension/retraction</p> 	<p>Push the touch pads (99) until the rear left stabilizer is set against the ground (LED on). Push the touch pads (103) until the rear left stabilizer is totally retracted (LED off).</p>
<p>If outriggers option : Rear right stabilizer extension/retraction</p> 	<p>Push the touch pads (100) until the rear right stabilizer is set against the ground (LED on). Push the touch pads (104) until the rear right stabilizer is totally retracted (LED off).</p>

- (1.) When the platform is raised above 1,50 m(4 ft11 in), only micro-speed is possible
- (2.) When the platform is raised above 1,50 m(4 ft11 in), only micro-speed is possible
- (3.) When the platform is lowered, there is a time out lasting several seconds 1,50 m(4 ft11 in) from the ground, to avoid any risk of crushing
- (4.) The alarm sounds

N.B.:-The release of the selectors and (or) joysticks causes all movement to stop.

3.3.4 - Other controls

- Horn : Push the horn selector (43) to the right to sound the horn. The horn stops when the selector switch is released.
- Differential lock : Press the differential blocking touch pads (35).

N.B.:-If outriggers option :

- Horn : Push the horn selector (62) to the right to sound the horn. The horn stops when the selector switch is released.
- Differential lock : Press the differential blocking touch pads (60).

E - Driving



Notes

F - Special procedure



Find all the function indicators and controls in  Section C 5 - Control boxes

1 - Emergency lowering

1.1 - PRINCIPLE

N.B.:-During emergency manoeuvres controlled from the ground with extension out, it is essential to ensure that there is no obstacle under the platform (wall, beam, electric line, etc).


Emergency lowering is implemented if the operator using the console on the platform needs to be rescued and cannot operate the controls himself even if the machine is operating normally. This situation may arise if the operator is taken ill, is injured or if the control console is inaccessible.

A ground operator trained in using the emergency controls and in possession of the starter key can use the ground control box with the main power source to lower the platform operator.



If the machine is stuck or hooked in surrounding structures or equipment, it is essential to release the operators before intervening on the machine.

1.2 - PROCEDURE

 Section A 2-Pre-operation instructions

Lower the platform using the emergency pull T-handle (Overriding System) (107) on the ground control box.



Once rescue operations are complete, write an incident report.

Or :

1. Turn the key of the control box activation selector (72) to the right to energize the ground control box. The platform box controls are de-energized.
2. Lower the platform from the ground control box.
3. Lower the platform using the selector (106) while holding the key (72).
4. Release the key to stop lowering.

N.B.:-Activating the emergency controls listed above deactivates the controls of the console on the platform.

F

- Special procedure

1.3 - EXTRAORDINARY PROCEDURE

In the context of emergency lowering, it is possible that the emergency stop located on the platform is activated or that safety mechanisms such as the overload limiter are preventing the machine from operating normally.

During an exceptional procedure, for machines which are not fitted with the manual rescue control as described in the "emergency lowering" paragraph, activating the lower console deactivates the emergency pushbutton located on the platform.

N.B.-:During these exceptional manoeuvres, movements are slowed down for safety reasons.

F - Special procedure

2 - Towing

In case of a machine failure, it is possible to tow it to load it onto a trailer.

2.1 - MANUAL BRAKE RELEASE

To tow a broken-down machine, perform manual brake release.



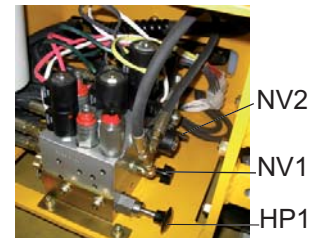
Perform these operations on flat, horizontal ground. Failing that, block the wheels to immobilize the machine. When drive hubs are disengaged, the machine is in free wheel mode and the brake system no longer functions.

For : COMPACT 8 (COMPACT 2032E) - COMPACT 8W (COMPACT 2047E) - COMPACT 10N (COMPACT 2632E) - COMPACT 10 (COMPACT 2747E) - COMPACT 12 (COMPACT 3347E) - COMPACT 14 (COMPACT 3947E)

1. Close the tap (NV1).
2. Open the tap (NV2).
3. Push the pump by hand (HP1) until the brake is fully released.
4. Slow towing.

After towing the machine :

5. Close the tap (NV2)
6. Open the tap (NV1).

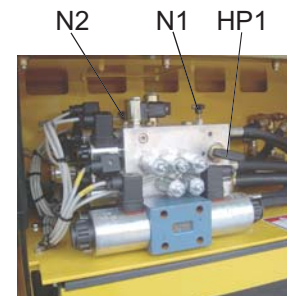


For : COMPACT 10RTE (COMPACT 2668RTE) - COMPACT 12RTE (COMPACT 3368RTE)

7. Close the tap (N1).
8. Open the tap (N2).
9. Push the pump by hand (HP1) until the brake is fully released.
10. Slow towing.

After towing the machine :

11. Close the tap (N2)
12. Open the tap (N1).



In the towing configuration, the machine is no longer slowed down. Use a drawbar to avoid any risk of accident.



Do not exceed 5 km/h (3,10 mph) .

F

- Special procedure

2.2 - AUTOMATIC BRAKE RELEASE (OPTION)

To tow a broken-down machine, the brakes on the drive wheels can be released using a remote control allowing brake release to be activated remotely.



Perform these operations on flat, horizontal ground. Failing that, block the wheels to immobilize the machine. When drive hubs are disengaged, the machine is in free wheel mode and the brake system no longer functions.

1. Activate brake release using the push button control (ground control box). The motor pump unit is powered for a brief moment. Brake release is effective after approximately 1 s.
2. As long as the button is activated, the brakes on the machine are released (solenoid valves YV10 and YV11 are powered).
3. Tow the machine in low speed.
4. The brakes are reactivated 0,5 s after the push button is released.



In the towing configuration, the machine is no longer slowed down. Use a drawbar to avoid any risk of accident.



Do not exceed 5 km/h (3,10 mph) .

F

- Special procedure

3 - Loading and unloading

3.1 - PRINCIPLE

3.1.1 - Loading and unloading



Ensure that :

- The loading ramp can support the machine weight.
- The loading ramp is correctly attached to transport vehicle.
- The loading ramp has sufficient grip surface.
- The transport vehicle must be parked on a level surface and must be secured to prevent rolling away while machine is being loaded or unloaded.




To climb the slope, move progressively the drive joystick  (or ).

If the slope is too steep, use a winch in addition to traction.



Do not place yourself below or too close to the machine during loading.

- Check the platform is completely empty. Do not use excessive downward force when securing platform/basket.
- Drive the machine onto the truck bed.
- Secure the machine to the tie down points provided (Refer to  Section F 3.2 - Putting in transport position).
- The covers /swing out trays must be closed and locked in position. A wrong move can lead to machine tipping over and may cause serious injuries and material damage.

The machine must be completely in the stowed configuration.

The manual extension must be retracted and locked during transport or towing.

3.1.2 - Unloading



Before unloading, check that the machine is not damaged during transport and is in good condition.

1. Remove the tie downs.
2. Switch the machine on.
3. Move progressively the drive joystick .



Upon starting a machine that has been secured and transported, the safety system may detect a false overload preventing all movement from the platform control box.

To reinstate the system, lift the platform a few centimetres (inches) from the ground control box.

F

- Special procedure

3.1.3 - Lifting operation

Before any lifting operation, it is necessary to take into account the following points :



ONLY trained and authorized personnel should attempt to lift the machine.

Do not operate machine unless you have :

- been fully trained and are qualified in proper operation.
- read and understood the information in the Operator's manual of the machine.

3.1.3.1 - Safety precautions

It is the responsibility of the Operator to ensure there are no personnel or obstructions to safely perform the operation.

3.1.3.2 - Preliminary procedures

- Inspect the surrounding area and position the machine at a safe distance from electrically charged conductors to ensure that no part of the machine is within an unsafe area. Always stay clear of overhead obstructions.
- Respect the local rules and the minimum safe distance from power lines.
- Stop the machine.
- Remove the ignition key.
- Ensure that the main power is disconnected.
- Place a "DO NOT USE" decal near the start/stop switches to inform personnel that machine is not operational during the lifting process.
- Cordon off the area surrounding the machine to keep personnel, vehicles and moving equipment away from the machine.
- Remove all loose items from the machine.
- Ensure that vehicle capacity of the forklift and lifting equipment - hoists, chains, straps, etc. are of sufficient strength to withstand maximum machine weight.
- Attach the rigging ONLY to the designated lifting points on the machine.

F

- Special procedure

3.1.3.3 - Loading and unloading with forklift

Unloading

- While lifting, make sure that the load is evenly spread.
- Put down the machine.
- Platform must be fully lowered.
- Manual extension deck(s) must be fully retracted and locked in position. The machine must be in the fully stowed transport position.
- Ensure that the machine controls are in the OFF position.
- Use a forklift with sufficient strength to lift the machine.
- Move the forks apart.
- Place the forks in the positions indicated on the chassis.
- Slowly place the forks in position with forklift pockets to ensure optimum stability.

A

B

C

D

E

F

G

H

I

F

- Special procedure

3.1.3.4 - For COMPACT 8 (C 2032E) - COMPACT 10N (C 2632E)

Necessary equipment



- PPE (Personal Protective Equipment: glove, safety shoes, glasses, etc ...)
- Standard tool kit
- 4 shackles 2 T
- 4 slings 3 m (9 ft 10 in) 3 T

Procedure for the use of slings

The machine must be fully folded, with platform extension(s) retracted and locked in position. Attach 4 shackles 2 T with the straps 3 m (9 ft 10 in) 3 T to the four lifting points on the chassis.

Front view of the machine



Rear view of the machine

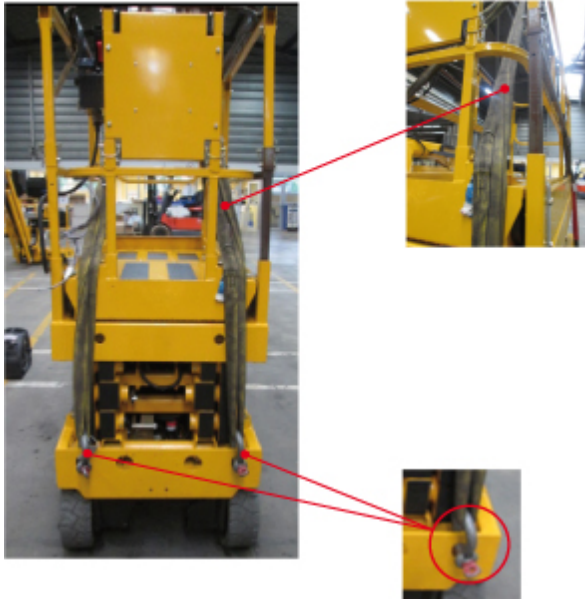


The slings must be positioned from inside of the railings as shown below.

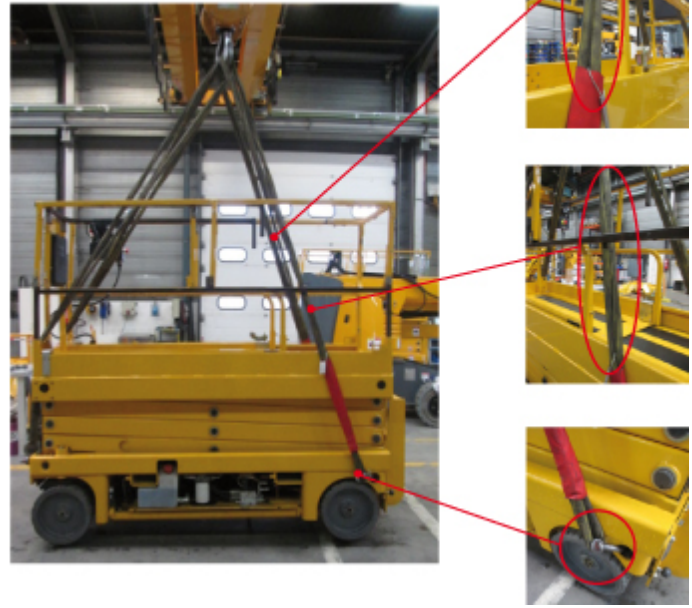
F - Special procedure

Slings and shackles installation

Front view of the machine



Side view of the machine



Remove and place the platform control box on the platform floor.

Make sure the slings do not contact critical components as shown below.



F

- Special procedure

3.1.3.5 - For COMPACT 8W (C 2047E) - COMPACT 10 (C 2747E) - COMPACT 12 (C 3347E) - COMPACT 14 (C 3947E)

Necessary equipment



- PPE (Personal Protective Equipment: glove, safety shoes, glasses, etc ...)
- Standard tool kit
- 6 shackles 2 T
- 4 slings 3 m (9 ft 10 in) 3 T

Procedure for the use of slings

The machine must be fully folded, with platform extension(s) retracted and locked in position.
Hook together 2 - 2 T shackles with a sling 3 m (9 ft 10 in) 3 T to each hole in front of the machine.

Front view of the machine



Hook 1 - 2 T shackle with a sling 3 m (9 ft 10 in) 3 T to each hole at the rear of the machine.

Rear view of the machine



F

- Special procedure

Slings and shackles installation



The deformation that might appear is not permanent, the guardrail will return to its initial shape once the lifting operation is over and the slings are removed.

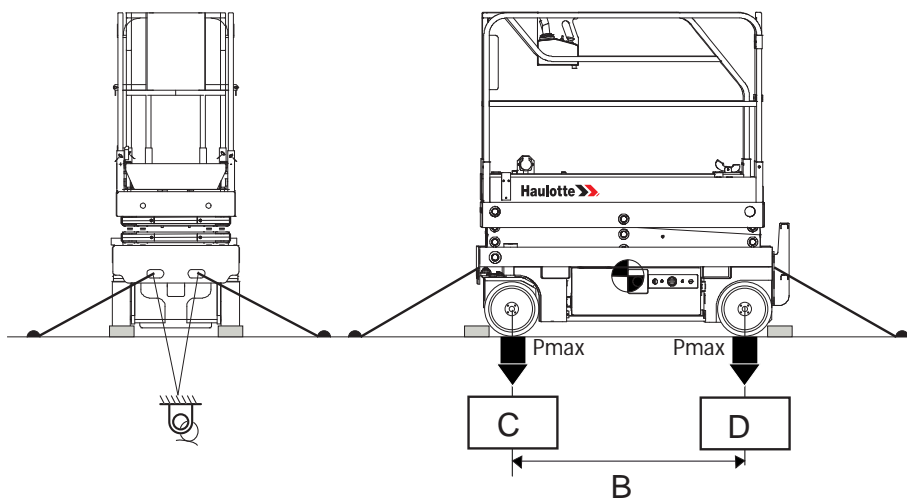
F - Special procedure

3.2 - PUTTING IN TRANSPORT POSITION

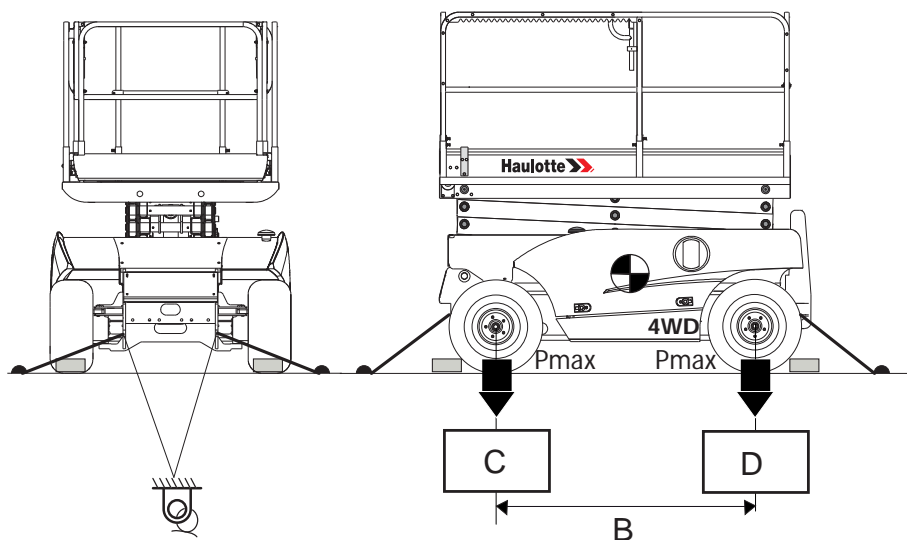
The machine must be completely stowed with manual extension(s) retracted and locked.

1. Check the platform is completely empty.
2. Secure the machine to the tie down points provided.
3. The guardrails must be locked and/or folded inwards.
4. Manual extension deck(s) must be fully retracted and locked in position.

For: COMPACT 8 (COMPACT 2032E) - COMPACT 8W (COMPACT 2047E) - COMPACT 10N (COMPACT 2632E) - COMPACT 10 (COMPACT 2747E) - COMPACT 12 (COMPACT 3347E) - COMPACT 14 (COMPACT 3947E)



For: COMPACT 10RTE (C 2668RTE) - COMPACT 12RTE (C 3368RTE)



F - Special procedure

Loading characteristics

Marking	Description	COMPACT 8 (C 2032E)	COMPACT 8W (C 2047E)
B	Lateral distance between the wheels ^(1.)	1,86 m(6 ft1 in)	1,86 m(6 ft1 in)
C	Front wheel ground pressure ^(1.)	13,2 daN/cm ² (2,70 lbf/sq.ft)	17,3 daN/cm ² (3,54 lbf/sq.ft)
D	Rear wheel ground pressure ^(1.)	13,2 daN/cm ² (2,70 lbf/sq.ft)	17,3 daN/cm ² (3,54 lbf/sq.ft)



Anchorage point

(1.) Check the technical data in the technical characteristics

Loading characteristics

Marking	Description	COMPACT 8 (C 2032E) Single load (Option)
B	Lateral distance between the wheels ^(1.)	1,86 m(6 ft1 in)
C	Front wheel ground pressure ^(1.)	14,47 daN/cm ² (2,96 lbf/sq.ft)
D	Rear wheel ground pressure ^(1.)	14,47 daN/cm ² (2,96 lbf/sq.ft)



Anchorage point

(1.) Check the technical data in the technical characteristics

Loading characteristics

Marking	Description	COMPACT 10N (C 2632E)	COMPACT 10 (C 2747E)
B	Lateral distance between the wheels ^(1.)	1,86 m(6 ft1 in)	1,86 m(6 ft1 in)
C	Front wheel ground pressure ^(1.)	15,96 daN/cm ² (3,27 lbf/sq.ft)	17,7 daN/cm ² (3,63 lbf/sq.ft)
D	Rear wheel ground pressure ^(1.)	15,96 daN/cm ² (3,27 lbf/sq.ft)	17,7 daN/cm ² (3,63 lbf/sq.ft)



Anchorage point

(1.) Check the technical data in the technical characteristics

Loading characteristics

Marking	Description	COMPACT 12 (C 3347E)	COMPACT 14 (C 3947E)
B	Lateral distance between the wheels ^(1.)	1,86 m(6 ft1 in)	1,86 m(6 ft1 in)
C	Front wheel ground pressure ^(1.)	19,3 daN/cm ² (3,95 lbf/sq.ft)	28,7 daN/cm ² (5,88 lbf/sq.ft)
D	Rear wheel ground pressure ^(1.)	19,3 daN/cm ² (3,95 lbf/sq.ft)	28,7 daN/cm ² (5,88 lbf/sq.ft)



Anchorage point

(1.) Check the technical data in the technical characteristics

Loading characteristics

Marking	Description	COMPACT 10RTE (C 2668RTE)	COMPACT 12RTE (C 3368RTE)
B	Lateral distance between the wheels ^(1.)	1,87 m(6 ft2 in)	1,87 m(6 ft2 in)
C	Front wheel ground pressure ^(1.)	7 daN/cm ² (1,43 lbf/sq.ft)	7,5 daN/cm ² (1,54 lbf/sq.ft)
D	Rear wheel ground pressure ^(1.)	7 daN/cm ² (1,43 lbf/sq.ft)	7,5 daN/cm ² (1,54 lbf/sq.ft)



Anchorage point

(1.) Check the technical data in the technical characteristics

F - Special procedure

4 - Panel carrier

4.1 - DESCRIPTION

This attachment is an assembly designed to transport panels. The panel should be placed on the cradle and secured with a strap.

4.2 - CHARACTERISTICS

Specifications	COMPACT 8 / 10 N	COMPACT 2032E / 2632E
	SI	Imp.
Weight of the carrier	10,5 kg	23 lbs
Maximum allowable weight of the panels on the carrier	50 kg	110 lbs
Maximum load surface	2,76 m ² (1,2 m x 2,3 m)	21,5 sq.ft (3 ft 11 in x 7 ft 6 in)
Maximum wind speed allowed	0 m/s - 0 km/h	0 mph

Specifications	COMPACT 8W / 10 / 12 / 14	COMPACT 2247E / 2747E / 3347E / 3947E
	SI	Imp.
Weight of the carrier	10,5 kg	23 lbs
Maximum allowable weight of the panels on the carrier	70 kg	154 lbs
Maximum load surface	2,76 m ² (1,2 m x 2,3 m)	21,5 sq.ft (3 ft 11 in x 7 ft 6 in)
Maximum wind speed allowed	0 m/s - 0 km/h	0 mph

4.3 - SAFETY PRECAUTIONS



- Please read and assimilate the instructions before using the attachment.
- This attachment is designed for transporting panels. Do not use this attachment for transporting other types of load. .
- Do not suspend loads.
- Do not overload the attachment and ensure that the panels are secured with straps.
- Do not exceed the maximum allowable platform capacity. The combined weight of the attachment, load, the occupants, the tools and any other equipment must not exceed the maximum allowable platform capacity.
- Do not load panels whose surface area exceeds the maximum authorized surface area. Exposing an additional surface area to the wind reduces machine stability. Do not install any other attachments that increase the surface area exposed to the wind.
- Do not use the machine if the wind speed exceeds the authorized limit of the attachment.
- When maneuvering, ensure you maintain a safe distance between the load and the obstacles in the work environment.

F

- Special procedure

4.4 - PRE-OPERATION INSPECTION



- Check that the cradles have no cracks or other damage.
- Check that the cradles are correctly installed and secured to the platform(Ensure fastening screws are tightened and pins correctly positioned).
- Check that the information decal is present on the cradle and is legible.
- Check that the strap(s) is(are)not twisted or torn.
- Check that the position of the load and attachment is not obstructing access to the platform or the controls.
- Check that the position of the attachment and the load is not reducing visibility during maneuvers in the work environment.

4.5 - OPERATION

- Position and center the load to rest on the cradle.
- Securely attach the load on the cradle with straps.

Strapping example(s)



A

B

C

D

E

F

G

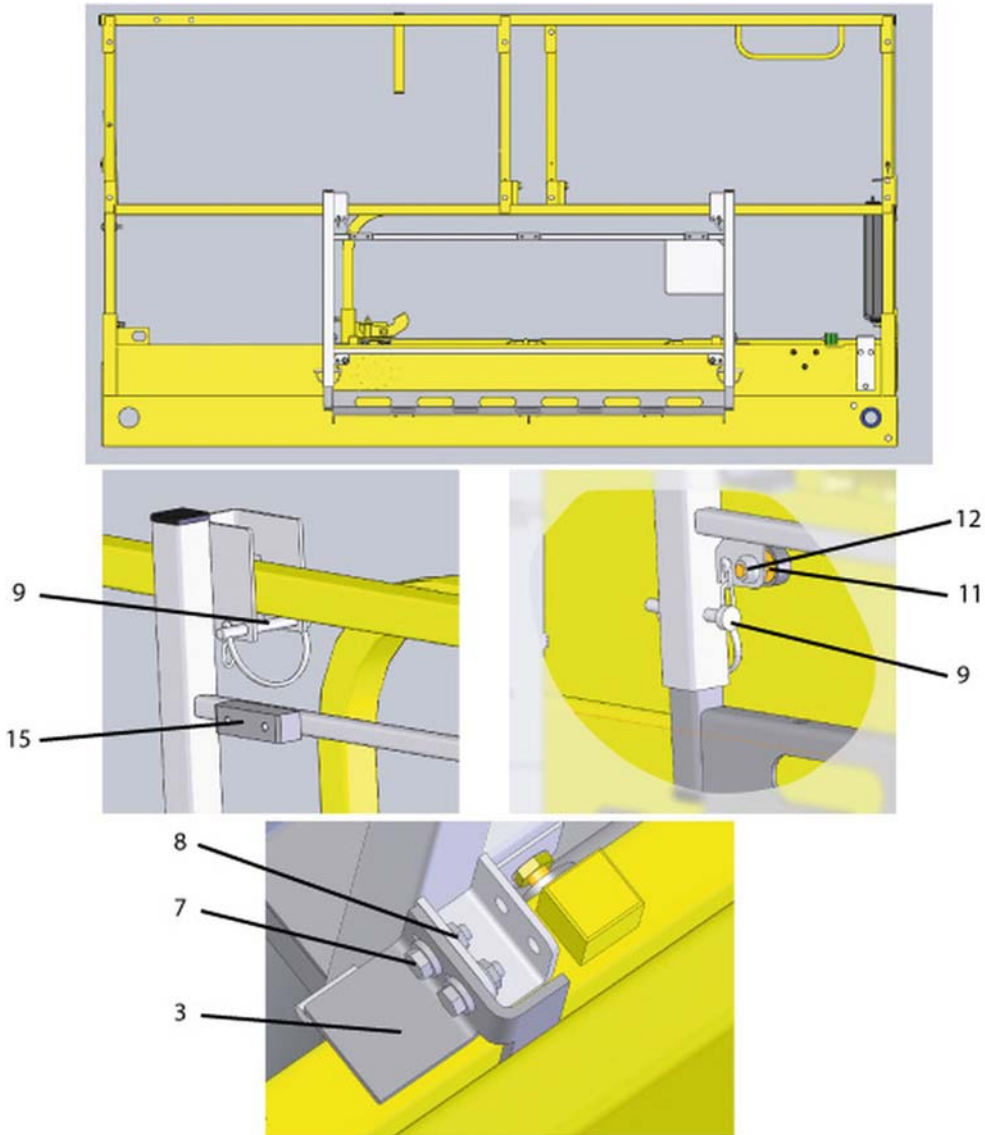
H

I

F - Special procedure

4.6 - DISASSEMBLY - ASSEMBLY

COMPACT 8 / 8W / 10 / 10N / 12 / 14 - COMPACT 2032E / 2247E / 2632E / 2747E / 3347E / 3947E



Marking	Description
3	Stop
7	Mounting screws
8	Nut
9	Pin
11	Bumper
12	Nut
15	Protection pad

F - Special procedure

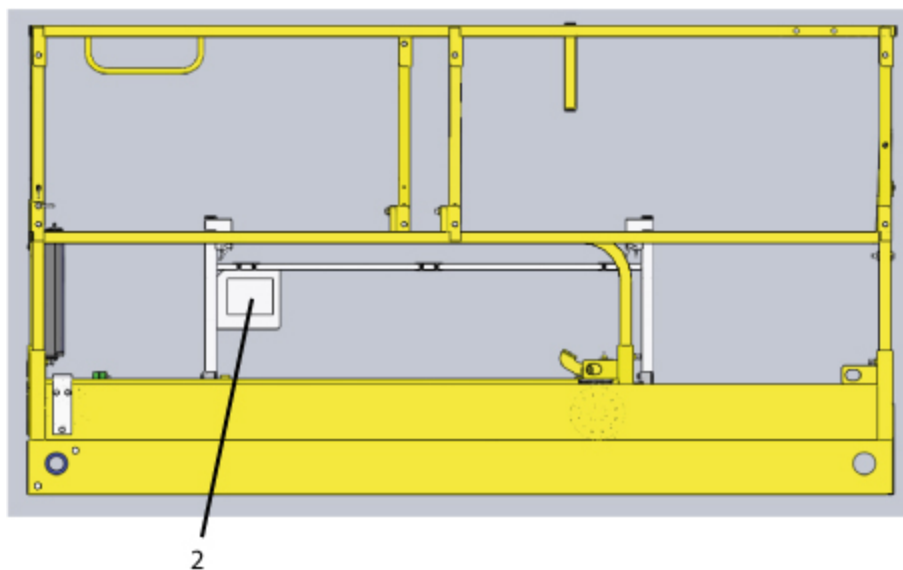
1. After checking that the decal is on the cradle, position the support on the outside of the guardrail on the side of the control box.
2. Lock the 2 safety pin (9) on the mid rail.
3. Position the 2 fastening plates (3) on the inside edge of the platform.
4. Tighten the screw (7) and the nut (8) of the two fastening plates (3) to the recommended torque.
5. Setting if necessary of the bumper (11) with nut (12).
6. Fix securely the panel with one or more not supplied straps.

N.B.:-Torque Requirements : 9 Nm (6.64 lbs/ft) for M6 and 22 Nm (16 lbs/ft) for M8.

- Pre-operation test : Place and secure the load of 50 kg (110 lbs) max. on the cradles. Ensure that the cradles can support the load and that there is no visual structural damage.

4.7 - SPECIFIC DECALS

Location of the decals



Decal



F

- Special procedure

COMPACT 8 / 8W / 10 / 10N / 12 / 14 - COMPACT 2032E / 2247E / 2632E / 2747E / 3347E / 3947E

Marking	Description	Quantity	Part number
1	Risk of overturning	2	In english - ANSI : 4000507300 In french - ANSI : 4000507290 In spanish - ANSI: 4000507310

G - Technical specifications

1 - Main characteristics



Certain options can modify the machine's operating characteristics and its associated safety. If your machine was originally delivered with options fitted, replacing a safety component associated with a particular options not require any particular precautions other than those associated with the installation itself (static test).

Otherwise, it is essential to follow the manufacturer's recommendations as stated below :

- Installation by authorised HAULOTTE® personnel only.
- Update the manufacturer's identification plate.
- Have stability tests carried out by a certified agency/competent person.
- Ensure decal compliance.


HAULOTTE® has a continuous improvement policy in place for its product range ; Given this policy, The Company reserves the right to modify their product technical characteristics without notice.

The hand and feet vibration and noise level values indicated in the technical characteristics tables are obtained in the following conditions :

- The maximum quadratic mean value weighted as an acceleration frequency and the total value of the vibrations to which the hand-arm system is exposed have been measured on the products by simulating a cycle representative of normal use. The values meet the requirements of the 2006/42/CE machine directive.
- For electric machines, the sound power level is measured at the drive station under the conditions described by the 2006/42/CE machine directive.
- For machines equipped with internal combustion engines, the noise level guarantees (LWA displayed on the product) and is measured in accordance with the method and the conditions described in Appendix III, Part B, Method 1 and 0 of the 2000/14/CE European directive.





G - Technical specifications

For - C10N-1 - For AS only - Technical specifications

Machine Characteristics	C10N-1	
	Metric	Imperial
Length of machine in stowed position	2,48 m	(8 ft2 in)
Overall width of machine	0,81 m	(2 ft7 in)
Platform length	2,30 m	(7 ft7 in)
Number of extensions	1	
Machine height	2,17 m	(7 ft1 in)
Maximum overall height of the machine in folded/stowed position guard-rail dismounted	1,33 m	(4 ft4 in)
Maximum ground clearance	0,125 m	(0 ft5 in)
Minimum ground clearance	0,030 m	(0 ft2 in)
Transport height	1,33 m	(4 ft4 in)
Maximum working height	10,08 m	(33 ft1 in)
Maximum platform height	8,08 m	(26 ft6 in)
Platform width	0,80 m	(2 ft7 in)
Outside turning radius	2,38 m	(7 ft9 in)
Inside turning radius	0,34 m	(1 ft1 in)
Distance between centres of the wheels	1,86 m	(6 ft1 in)
Tilt sensorFor AS only	2 °	
Maximum wind speed allowed	Indoor use : 0 km/h	Indoor use : (0 mph)
	Outdoor use : 45 km/h	Outdoor use : (28 mph)
Total weight	2448 kg	(5398 lb)
Maximum platform load	Indoor use : 230 kg	Indoor use : (507 lb)
	Outdoor use : 120 kg	Outdoor use : (265 lb)
Recommended load capacity when extended	120 kg-	(265 lb)-
Manual lateral force at platform	Indoor use : 40 daN(lbf)	Indoor use : daN(90 lbf)
	Outdoor use : Prohibited	Outdoor use : Prohibited
Maximum number of people on the platform	 Section C 4.1.1 Specific decals C10N-1 (N/A)	
Power source	24 V	
Hydraulic oil tank capacity	25 l	(7 gal US)
Battery	24 V-180 Ah	
Maximum climbable slope	23 %	
Tyre type and/ or size	380 x 127 x 30 - No Marking	
Platform elevation time (when empty)	46 s	
Platform lowering time (when empty)	51 s	
Micro drive speed	1 km/h	(0,6 mph)
Low drive speed	1,5 km/h	(0,9 mph)
High drive speed	3,5 km/h	(2,2 mph)
Hand vibration	<2,5 m/s ²	(98 in/s ²)
Feet vibration	<0,5 m/s ²	(19 in/s ²)
Noise emission level	< 70 dB (A)	

G - Technical specifications

For - COMPACT 8 (COMPACT 2032E) - Technical specifications



Machine Characteristics	COMPACT 8		COMPACT 2032E	
	Metric	Imperial	Metric	Imperial
Length of machine in stowed position	2,48 m	(8 ft2 in)	2,48 m	(8 ft2 in)
Overall width of machine	0,81 m	(0 ft32 in)	0,81 m	(0 ft32 in)
Platform length	2,30 m	(7 ft7 in)	2,30 m	(7 ft7 in)
Number of extensions	1			
Machine height	1,99 m	(6 ft6 in)	1,99 m	(6 ft6 in)
Maximum overall height of the machine in folded/stowed position guard-rail dismounted	1,14 m	(3 ft9 in)	1,14 m	(3 ft9 in)
Maximum ground clearance	0,125 m	(0 ft5 in)	0,125 m	(0 ft5 in)
Transport height	1,99 m	(6 ft6 in)	1,99 m	(6 ft6 in)
Maximum working height	8,18 m	(26 ft10 in)	8,18 m	(26 ft10 in)
Maximum platform height	6,18 m	(20 ft3 in)	6,18 m	(20 ft3 in)
Platform width	0,92 m	(3 ft0 in)	0,92 m	(3 ft0 in)
Outside turning radius	2,38 m	(7 ft9 in)	2,38 m	(7 ft9 in)
Inside turning radius	0,34 m	(1 ft1 in)	0,34 m	(1 ft1 in)
Distance between centres of the wheels	1,86 m	(6 ft1 in)	1,86 m	(6 ft1 in)
Rated slope CE - AS	2 °		-	
Rated slope ANSI - CSA	-		0 °	
Slope warning ANSI - CSA	-		2 °	
Maximum wind speed allowed CE - AS	Indoor use :	Indoor use :	-	-
	0 km/h	(0 mph)		
Total weight	Outdoor use :	Outdoor use :	-	-
	45 km/h	(28 mph)		
Maximum platform load CE - AS	Indoor use :	Indoor use :	-	-
	1655 kg	(3649 lb)		
Maximum platform load ANSI - CSA	Outdoor use :	Outdoor use :	-	-
	350 kg	(773 lb)		
Recommended load capacity when extended	Indoor use :	Indoor use :	350 kg	(773 lb)
	120 kg	(265 lb)		
Manual lateral force at platform CE - AS	Outdoor use :	Outdoor use :	-	-
	150 kg-	(331 lb)-		
Manual lateral force at platform ANSI - CSA	Indoor use :	Indoor use :	-	-
	40 daN	(90 lbf)		
Maximum number of people on the platform CE - AS	Outdoor use :	Outdoor use :	-	-
	20 daN	(45 lbf)		
Maximum number of people on the platform ANSI - CSA	-	-	445 N	100 lbf
	Indoor use : 2	Indoor use : 2		
Maximum number of people on the platform CE - AS	Outdoor use : 1	Outdoor use : 1	-	-
	 Section C 4.1.1 Specific decals COMPACT 8 (COMPACT 2032E)	 Section C 4.1.1 Specific decals COMPACT 8 (COMPACT 2032E)		
Maximum number of people on the platform ANSI - CSA	-	-	-	-
	Indoor use : 2	Indoor use : 2		
Maximum number of people on the platform ANSI - CSA	Outdoor use : 1	Outdoor use : 1	-	-
	 Section C 4.1.1 Specific decals COMPACT 8 (COMPACT 2032E)	 Section C 4.1.1 Specific decals COMPACT 8 (COMPACT 2032E)		
Power source	24 V			
Hydraulic oil tank capacity	25 l	(7 gal US)	25 l	(7 gal US)
Battery	24 V-180 Ah			
Maximum climbable slope	25 %			
Tyre type and/ or size	380 x 127 x 30			
Platform elevation time (when empty)	37 s			
Platform lowering time (when empty)	41 s			
Low drive speed	1,5 km/h	(0,9 mph)	1,5 km/h	(0,9 mph)
Micro drive speed	1 km/h	(0,6 mph)	1 km/h	(0,6 mph)
High drive speed	3,5 km/h	(2,2 mph)	3,5 km/h	(2,2 mph)

G - Technical specifications

Machine Characteristics	COMPACT 8		COMPACT 2032E	
	Metric	Imperial	Metric	Imperial
Hand vibration	<2,5 m/s ²	(98 in/s ²)	<2,5 m/s ²	(98 in/s ²)
Feet vibration	<0,5 m/s ²	(19 in/s ²)	<0,5 m/s ²	(19 in/s ²)
Noise emission level	< 70 dB (A)			

G - Technical specifications

For - COMPACT 8W (COMPACT 2047E) - Technical specifications



Machine Characteristics	COMPACT 8W		COMPACT 2047E	
	Metric	Imperial	Metric	Imperial
Length of machine in stowed position	2,45 m	(8 ft0 in)	2,45 m	(8 ft0 in)
Overall width of machine	1,20 m	(3 ft11 in)	1,20 m	(3 ft11 in)
Platform length	2,30 m	(7 ft7 in)	2,30 m	(7 ft7 in)
Number of extensions	1			
Machine height	2,14 m	(7 ft0 in)	2,14 m	(7 ft0 in)
Maximum ground clearance	0,13 m	(0 ft5 in)	0,13 m	(0 ft5 in)
Transport height	1,28 m	(4 ft2 in)	1,28 m	(4 ft2 in)
Maximum working height	8,27 m	(27 ft2 in)	8,27 m	(27 ft2 in)
Maximum platform height	6,27 m	(20 ft7 in)	6,27 m	(20 ft7 in)
Platform width	1,20 m	(3 ft11 in)	1,20 m	(3 ft11 in)
Outside turning radius	2,50 m	(8 ft2 in)	2,50 m	(8 ft2 in)
Inside turning radius	0,20 m	(0 ft7 in)	0,20 m	(0 ft7 in)
Distance between centres of the wheels	1,86 m	(6 ft1 in)	1,86 m	(6 ft1 in)
Rated slope CE - AS	3 °		-	
Rated slope ANSI - CSA	-		0 °	
Slope warning ANSI - CSA	-		2 °	
Maximum wind speed allowed CE - AS	Indoor use :	Indoor use :	-	-
	0 km/h	(0 mph)		
Total weight	Outdoor use :	Outdoor use :	2030 kg	(4476 lb)
	45 km/h	(28 mph)		
Maximum platform load CE - AS	Indoor use :	Indoor use :	-	-
	450 kg	(1000 lb)		
Maximum platform load ANSI - CSA	Outdoor use :	Outdoor use :	450 kg	(1000 lb)
	450 kg	(1000 lb)		
Recommended load capacity when extended	-	-	150 kg	(330 lb)
Manual lateral force at platform CE - AS	Indoor use :	Indoor use :	-	-
	40 daN	(90 lbf)		
Manual lateral force at platform ANSI - CSA	Outdoor use :	Outdoor use :	666 N	150 lbf
	40 daN	(90 lbf)		
Maximum number of people on the platform CE - AS	Indoor use :	Indoor use :	-	-
	3	3		
Maximum number of people on the platform ANSI - CSA	Outdoor use :	Outdoor use :	-	-
	3	3		
	 Section C 4.1.1 Specific decals COMPACT 8W (COMPACT 2047E)			
	 Section C 4.1.1 Specific decals COMPACT 8W (COMPACT 2047E)			
Power source	24 V			
Hydraulic oil tank capacity	25 l	(7 gal US)	25 l	(7 gal US)
Battery	24 V-240 Ah			
Maximum climbable slope	23 %			
Tyre type and/ or size	380 x 127 x 30			
Platform elevation time (when empty)	44 s			
Platform lowering time (when empty)	56 s			
Low drive speed	1,5 km/h	(0,9 mph)	1,5 km/h	(0,9 mph)
Micro drive speed	1 km/h	(0,6 mph)	1 km/h	(0,6 mph)
High drive speed	3,5 km/h	(2,2 mph)	3,5 km/h	(2,2 mph)
Hand vibration	<2,5 m/s ²	(98 in/s ²)	<2,5 m/s ²	(98 in/s ²)
Feet vibration	<0,5 m/s ²	(19 in/s ²)	<0,5 m/s ²	(19 in/s ²)

G - Technical specifications

Machine Characteristics	COMPACT 8W		COMPACT 2047E	
	Metric	Imperial	Metric	Imperial
Noise emission level				< 70 dB (A)

G - Technical specifications

For - COMPACT 10N (COMPACT 2632E) - Technical specifications


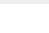
Machine Characteristics	COMPACT 10N		COMPACT 2632E	
	Metric	Imperial	Metric	Imperial
Length of machine in stowed position	2,48 m	(8 ft2 in)	2,48 m	(8 ft2 in)
Overall width of machine	0,81 m	(2 ft8 in)	0,81 m	(2 ft8 in)
Platform length	2,30 m	(7 ft7 in)	2,30 m	(7 ft7 in)
Number of extensions	1			
Machine height	2,17 m	(7 ft1 in)	2,17 m	(7 ft1 in)
Maximum overall height of the machine in folded/stowed position guard-rail dismounted	1,33 m	(4 ft4 in)	1,33 m	(4 ft4 in)
Maximum ground clearance	0,125 m	(0 ft5 in)	0,125 m	(0 ft5 in)
Minimum ground clearance	0,030 m	(0 ft2 in)	0,030 m	(0 ft2 in)
Transport height	1,33 m	(4 ft4 in)	1,33 m	(4 ft4 in)
Maximum working height	10,08 m	(33 ft1 in)	8 m	(26 ft3 in)
Maximum platform height	8,08 m	(24 ft6 in)	8 m	(26 ft3 in)
Platform width	0,80 m	(2 ft7 in)	0,80 m	(2 ft7 in)
Outside turning radius	2,38 m	(7 ft9 in)	2,38 m	(7 ft9 in)
Inside turning radius	0,34 m	(1 ft1 in)	0,34 m	(1 ft1 in)
Distance between centres of the wheels	1,86 m	(6 ft1 in)	1,86 m	(6 ft1 in)
Rated slope CE - AS	2 °		-	
Rated slope ANSI - CSA	-		0 °	
Slope warning ANSI - CSA	-		2 °	
Maximum wind speed allowed CE - AS	Indoor use :	Indoor use :	-	-
	0 km/h	(0 mph)		
Total weight	Outdoor use :	Outdoor use :	2190 kg	(4829 lb)
	0 km/h	(0 mph)		
Maximum platform load CE - AS	Indoor use :	Indoor use :	-	-
	230 kg	(507 lb)		
Maximum platform load ANSI - CSA	Outdoor use :	Outdoor use :	230 kg	(507 lb)
	0 kg	(0 lb)		
Recommended load capacity when extended	-	-	120 kg	(265 lb)
Manual lateral force at platform CE - AS	Indoor use :	Indoor use :	-	-
	40 daN	(90 lbf)		
Manual lateral force at platform ANSI - CSA	Outdoor use :	Outdoor use :	445 N	100 lbf
	Prohibited	Prohibited		
Maximum number of people on the platform CE - AS	Indoor use :	Indoor use :	-	-
	2	2		
Maximum number of people on the platform ANSI - CSA	Outdoor use :	Outdoor use :	-	-
	0	0		
		 Section C 4.1.1 Specific decals COMPACT 10N (COMPACT 2632E)		
		 Section C 4.1.1 Specific decals COMPACT 10N (COMPACT 2632E)		
Power source	24 V			
Hydraulic oil tank capacity	25 l	(7 gal US)	25 l	(7 gal US)
Battery	24 V-180 Ah			
Maximum climbable slope	23 %			
Tyre type and/ or size	380 x 127 x 30			
Platform elevation time (when empty)	46 s			
Platform lowering time (when empty)	51 s			
Micro drive speed	1,5 km/h	(0,9 mph)	1,5 km/h	(0,9 mph)
Low drive speed	1 km/h	(0,6 mph)	1 km/h	(0,6 mph)

G - Technical specifications

Machine Characteristics	COMPACT 10N		COMPACT 2632E	
	Metric	Imperial	Metric	Imperial
High drive speed	3,5 km/h	(2,2 mph)	3,5 km/h	(2,2 mph)
Hand vibration	<2,5 m/s ²	(98 in/s ²)	<2,5 m/s ²	(98 in/s ²)
Feet vibration	<0,5 m/s ²	(19 in/s ²)	<0,5 m/s ²	(19 in/s ²)
Noise emission level	< 70 dB (A)			

G - Technical specifications

For - COMPACT 10 (COMPACT 2747E) - Technical specifications

Machine Characteristics	COMPACT 10		COMPACT 2747E	
	Metric	Imperial	Metric	Imperial
Length of machine in stowed position	2,43 m	(8 ft0 in)	2,43 m	(8 ft0 in)
Overall width of machine	1,20 m	(3 ft11 in)	1,20 m	(3 ft11 in)
Platform length	2,30 m	(7 ft7 in)	2,30 m	(7 ft7 in)
Number of extensions	1			
Machine height	2,26 m	(7 ft5 in)	2,26 m	(7 ft5 in)
Maximum overall height of the machine in folded/stowed position guard-rail dismounted	1,40 m	(4 ft7 in)	1,40 m	(4 ft7 in)
Maximum ground clearance	0,13 m	(0 ft5 in)	0,13 m	(0 ft5 in)
Transport height	1,40 m	(4 ft7 in)	1,40 m	(4 ft7 in)
Maximum working height	10,14 m	(33 ft3 in)	10,14 m	(33 ft3 in)
Maximum platform height	8,14 m	(26 ft8 in)	8,14 m	(26 ft8 in)
Platform width	1,20 m	(3 ft11 in)	1,20 m	(3 ft11 in)
Outside turning radius	2,50 m	(8 ft2 in)	2,50 m	(8 ft2 in)
Inside turning radius	0,20 m	(0 ft7 in)	0,20 m	(0 ft7 in)
Distance between centres of the wheels	1,86 m	(6 ft1 in)	1,86 m	(6 ft1 in)
Rated slope CE - AS	2 °		-	
Rated slope ANSI - CSA	-		0 °	
Slope warning ANSI - CSA	-		2 °	
Maximum wind speed allowed CE - AS	Indoor use :	Indoor use :	-	-
	0 km/h	(0 mph)		
Total weight	Outdoor use :	Outdoor use :	-	-
	45 km/h	(28 mph)		
Maximum platform load CE - AS	Indoor use :	Indoor use :	-	-
	2235 kg	(4928 lb)		
Maximum platform load ANSI - CSA	Outdoor use :	Outdoor use :	-	-
	450 kg	(1000 lb)		
Recommended load capacity when extended	Outdoor use :	Outdoor use :	450 kg	(1000 lb)
	450 kg	(1000 lb)		
Manual lateral force at platform CE - AS	Indoor use :	Indoor use :	-	-
	150 kg	(330 lb)		
Manual lateral force at platform ANSI - CSA	Outdoor use :	Outdoor use :	666 N	150 lbf
	20 daN	(45 lbf)		
Maximum number of people on the platform CE - AS	Indoor use :	Indoor use :	-	-
	40 daN	(90 lbf)		
Maximum number of people on the platform ANSI - CSA	Outdoor use :	Outdoor use :	-	-
	20 daN	(45 lbf)		
Maximum number of people on the platform CE - AS	Indoor use :	Indoor use :	-	-
	2	1		
Maximum number of people on the platform ANSI - CSA	Outdoor use :	Outdoor use :	-	-
	1	1		
Maximum number of people on the platform CE - AS	 Section C 4.1.1 Specific decals COMPACT 10 (COMPACT 2747E)		-	-
	 Section C 4.1.1 Specific decals COMPACT 10 (COMPACT 2747E)			
Maximum number of people on the platform ANSI - CSA	-		-	-
	-			
Power source	24 V			
Hydraulic oil tank capacity	25 l	(7 gal US)	25 l	(7 gal US)
Battery	24 V-240 Ah			
Maximum climbable slope	23 %			
Tyre type and/ or size	380 x 127 x 30			
Platform elevation time (when empty)	51 s			
Platform lowering time (when empty)	42 s			
Micro drive speed	1,5 km/h	(0,9 mph)	1,5 km/h	(0,9 mph)
Low drive speed	1 km/h	(0,6 mph)	1 km/h	(0,6 mph)
High drive speed	3,5 km/h	(2,2 mph)	3,5 km/h	(2,2 mph)

G - Technical specifications

Machine Characteristics	COMPACT 10		COMPACT 2747E	
	Metric	Imperial	Metric	Imperial
Hand vibration	<2,5 m/s ²	(98 in/s ²)	<2,5 m/s ²	(98 in/s ²)
Feet vibration	<0,5 m/s ²	(19 in/s ²)	<0,5 m/s ²	(19 in/s ²)
Noise emission level	< 70 dB (A)			

G - Technical specifications

For - COMPACT 12 (COMPACT 3347E) - Technical specifications



Machine Characteristics	COMPACT 12		COMPACT 3347E	
	Metric	Imperial	Metric	Imperial
Length of machine in stowed position	2,43 m	(8 ft0 in)	2,43 m	(8 ft0 in)
Overall width of machine	1,20 m	(3 ft11 in)	1,20 m	(3 ft11 in)
Platform length	2,30 m	(7 ft7 in)	2,30 m	(7 ft7 in)
Number of extensions	1			
Machine height	2,38 m	(7 ft10 in)	2,38 m	(7 ft10 in)
Maximum overall height of the machine in folded/stowed position guard-rail dismounted	1,53 m	(5 ft0 in)	1,53 m	(5 ft0 in)
Maximum ground clearance	0,13 m	(0 ft6 in)	0,13 m	(0 ft6 in)
Transport height	1,53 m	(5 ft0 in)	1,53 m	(5 ft0 in)
Maximum working height	12 m	(39 ft4 in)	12 m	(39 ft4 in)
Maximum platform height	10 m	(32 ft10 in)	10 m	(32 ft10 in)
Maximum platform height (Japan)	9,80 m	(32 ft2 in)	-	-
Platform width	1,20 m	(0 ft48 in)	1,20 m	(0 ft48 in)
Outside turning radius	2,5 m	(8 ft2 in)	2,5 m	(8 ft2 in)
Inside turning radius	0,2 m	(0 ft8 in)	0,2 m	(0 ft8 in)
Distance between centres of the wheels	1,86 m	(6 ft1 in)	1,86 m	(6 ft1 in)
Rated slope CE - AS	2 °		-	
Rated slope ANSI - CSA	-		0 °	
Slope warning ANSI - CSA	-		2 °	
Maximum wind speed allowed CE - AS	Indoor use :	Indoor use :	-	-
	0 km/h	(0 mph)		
Total weight	Outdoor use :	Outdoor use :	-	-
	45 km/h	(28 mph)		
Maximum platform load CE - AS	Indoor use :	Indoor use :	-	-
	300 kg	(662 lb)		
Maximum platform load ANSI - CSA	Outdoor use :	Outdoor use :	300 kg	(662 lb)
	300 kg	(662 lb)		
Recommended load capacity when extended	-	-	150 kg	(330 lb)
Manual lateral force at platform CE - AS	Indoor use :	Indoor use :	-	-
	40 daN	(90 lbf)		
Manual lateral force at platform ANSI - CSA	Outdoor use :	Outdoor use :	445 N	100 lbf
	20 daN	(45 lbf)		
Maximum number of people on the platform CE - AS	Indoor use :	Indoor use :	-	-
	2	1		
Maximum number of people on the platform ANSI - CSA	Outdoor use :	Outdoor use :	-	-
	1	2		
Power source	Section C 4.1.1 Specific decals COMPACT 12 (COMPACT 3347E)		Section C 4.1.1 Specific decals COMPACT 12 (COMPACT 3347E)	
	-		-	
Hydraulic oil tank capacity	25 l	(7 gal US)	25 l	(7 gal US)
Battery	24 V-240 Ah Option : 24 V-240 Ah (C5)			
Maximum climbable slope	23 %			
Tyre type and/ or size	380 x 127 x 30			
Platform elevation time (when empty)	83 s			
Platform lowering time (when empty)	52 s			
Micro drive speed	1,5 km/h	(0,9 mph)	1,5 km/h	(0,9 mph)

G - Technical specifications

Machine Characteristics	COMPACT 12		COMPACT 3347E	
	Metric	Imperial	Metric	Imperial
Low drive speed	1 km/h	(0,6 mph)	1 km/h	(0,6 mph)
High drive speed	3,5 km/h	(2,2 mph)	3,5 km/h	(2,2 mph)
Hand vibration	<2,5 m/s ²	(98 in/s ²)	<2,5 m/s ²	(98 in/s ²)
Feet vibration	<0,5 m/s ²	(19 in/s ²)	<0,5 m/s ²	(19 in/s ²)
Noise emission level	< 70 dB (A)			

G - Technical specifications

For - COMPACT 14 (COMPACT 3947E) - Technical specifications


Machine Characteristics	COMPACT 14		COMPACT 3947E	
	Metric	Imperial	Metric	Imperial
Length of machine in stowed position	2,475 m	(8 ft1 in)	2,475 m	(8 ft1 in)
Overall width of machine	1,206 m	(3 ft11 in)	1,206 m	(3 ft11 in)
Platform length	2,30 m	(7 ft7 in)	2,30 m	(7 ft7 in)
Number of extensions	1			
Machine height	2,505 m	(8 ft3 in)	2,505 m	(8 ft3 in)
Maximum overall height of the machine in folded/stowed position guard-rail dismounted	1,644 m	(5 ft5 in)	1,644 m	(5 ft5 in)
Maximum ground clearance	0,13 m	(0 ft5 in)	0,13 m	(0 ft5 in)
Maximum working height	13,80 m	(45 ft3 in)	13,80 m	(45 ft3 in)
Maximum platform height	11,80 m	(38 ft9 in)	11,80 m	(38 ft9 in)
Platform width	1,20 m	(3 ft11 in)	1,20 m	(3 ft11 in)
Outside turning radius	2,38 m	(7 ft10 in)	2,38 m	(7 ft10 in)
Inside turning radius	0,34 m	(1 ft1 in)	0,34 m	(1 ft1 in)
Distance between centres of the wheels	1,86 m	(6 ft1 in)	1,86 m	(6 ft1 in)
Rated slope CE - AS	2° / 3°		-	
Rated slope ANSI - CSA	-		0°	
Slope warning ANSI - CSA	-		2° / 3°	
Maximum wind speed allowed CE - AS	Indoor use : 0 km/h Outdoor use : Prohibited	Indoor use : (0 mph) Outdoor use : Prohibited	-	-
Total weight	3175 kg	(7000 lb)	3282 kg	(7236 lb)
Maximum platform load CE - AS	Indoor use : 350 kg Outdoor use : Prohibited	Indoor use : (772 lb) Outdoor use : Prohibited	-	-
Maximum platform load ANSI - CSA	-		350 kg	(772 lb)
Recommended load capacity when extended	150 kg	(330 lb)	150 kg	(330 lb)
Manual lateral force at platform CE - AS	Indoor use : 40 daN Outdoor use : Prohibited	Indoor use : (90 lbf) Outdoor use : Prohibited	-	-
Manual lateral force at platform ANSI - CSA	-		445 N	100 lbf
Maximum number of people on the platform CE - AS	Indoor use : 3 Outdoor use : Prohibited  Section C 4.1.1 Specific decals COMPACT 14 (COMPACT 3947E)		-	
Maximum number of people on the platform ANSI - CSA	-		3	 Section C 4.1.1 Specific decals COMPACT 14 (COMPACT 3947E)
Power source	24 V			
Hydraulic oil tank capacity	25 l	(7 gal US)	25 l	(7 gal US)
Battery	24 V-255 Ah Option : 24 V-240 Ah (C5)			
Maximum climbable slope	23 %			
Tyre type and/ or size	380 x 127 x 30			
Platform elevation time (when empty)	68 s			
Platform lowering time (when empty)	54 s			
Micro drive speed	0.85 km/h	(0.53 mph)	0.85 km/h	(0.53 mph)
High drive speed	2.8 km/h	(1.7 mph)	2.8 km/h	(1.7 mph)
Hand vibration	<2,5 m/s ²	(98 in/s ²)	<2,5 m/s ²	(98 in/s ²)

G - Technical specifications

Machine Characteristics	COMPACT 14		COMPACT 3947E	
	Metric	Imperial	Metric	Imperial
Feet vibration	<0,5 m/s ²	(19 in/s ²)	<0,5 m/s ²	(19 in/s ²)
Noise emission level	< 70 dB (A)			



G - Technical specifications

For COMPACT 8 (COMPACT 2032E) Single load (Option) - on AS and CE only - Technical specifications

Machine	COMPACT 8 CU	
Characteristics	Metric	Imperial
Length of machine in stowed position	2,48 m	(8 ft2 in)
Overall width of machine	0,81 m	(0 ft32 in)
Platform length	2,30 m	(7 ft7 in)
Number of extensions	1	
Machine height	1,99 m	(6 ft6 in)
Maximum overall height of the machine in folded/stowed position guard-rail dismounted	1,14 m	(3 ft9 in)
Maximum ground clearance	0,125 m	(0 ft5 in)
Transport height	1,99 m	(6 ft6 in)
Maximum working height	8,18 m	(26 ft10 in)
Maximum platform height	6,18 m	(20 ft3 in)
Platform width	0,92 m	(3 ft0 in)
Outside turning radius	2,38 m	(7 ft9 in)
Inside turning radius	0,34 m	(1 ft1 in)
Distance between centres of the wheels	1,86 m	(6 ft1 in)
Rated slope CE - AS		2°
Maximum wind speed allowed CE - AS	Indoor use : 0 km/h Outdoor use : 45 km/h	Indoor use : (0 mph) Outdoor use : (28 mph)
Total weight	1875 kg	(4134 lb)
Maximum platform load CE - AS	Indoor use : 300 kg Outdoor use : 300 kg	Indoor use : (662 lb) Outdoor use : (662 lb)
Recommended load capacity when extended	150 kg	(331 lb)
Manual lateral force at platform CE - AS	Indoor use : 40 daN Outdoor use : 20 daN	Indoor use : (90 lbf) Outdoor use : (45 lbf)
Maximum number of people on the platform CE - AS	Indoor use : 2 Outdoor use : 1  Section C 4.1.1 Specific decals COMPACT 8 CU (COMPACT 2032 CU)	
Power source		24 V
Hydraulic oil tank capacity	25 l	(7 gal US)
Operating batteries		24 V-180 Ah
Maximum climbable slope		25 %
Tyre type and/ or size		380 x 127 x 30
Platform elevation time (when empty)		37 s
Platform lowering time (when empty)		41 s
Micro drive speed	1 km/h	(0,9 mph)
Low drive speed	1,5 km/h	(0,6 mph)
High drive speed	3,5 km/h	(2,2 mph)
Hand vibration	<2,5 m/s ²	(98 in/s ²)
Feet vibration	<0,5 m/s ²	(19 in/s ²)
Noise emission level		< 70 dB (A)



G - Technical specifications

For - COMPACT 10RTE (COMPACT 2668RTE) - Technical specifications

Machine Characteristics	COMPACT 10RTE		COMPACT 2668RTE	
	Metric	Imperial	Metric	Imperial
Length of machine in stowed position	2,65 m	(8 ft8 in)	2,65 m	(8 ft8 in)
Overall width of machine	1,80 m	(0 ft71 in)	1,80 m	(0 ft71 in)
Platform length	2,50 m	(8 ft2 in)	2,50 m	(8 ft2 in)
Number of extensions		1		
Machine height	2,42 m	(7 ft11 in)	2,42 m	(7 ft11 in)
Maximum overall height of the machine in folded/stowed position guard-rail dismounted	1,51 m	(4 ft11 in)	1,51 m	(4 ft11 in)
Maximum ground clearance	0,25 m	(0 ft10 in)	0,25 m	(0 ft10 in)
Transport height	1,51 m	(4 ft11 in)	1,51 m	(4 ft11 in)
Maximum working height	10,25 m	(33 ft8 in)	10,25 m	(33 ft8 in)
Maximum platform height	8,25 m	(27 ft1 in)	8,25 m	(27 ft1 in)
Platform width	1,54 m	(5 ft10 in)	1,54 m	(5 ft10 in)
Outside turning radius	3,73 m	(12 ft3 in)	3,73 m	(12 ft3 in)
Inside turning radius	1,21 m	(4 ft0 in)	1,21 m	(4 ft0 in)
Distance between centres of the wheels	1,87 m	(6 ft2 in)	1,87 m	(6 ft2 in)
Rated slope CE - AS		3°		-
Rated slope ANSI - CSA		-		0°
Slope warning ANSI - CSA		-		2°
Maximum wind speed allowed CE - AS	Indoor use : 0 km/h Outdoor use : 45 km/h	Indoor use : (0 mph) Outdoor use : (28 mph)	-	-
Total weight - Machine without stabilizers	3380 kg	(7453 lb)	3380 kg	(7453 lb)
Total weight - Machine with outriggers	3620 kg	(7982 lb)	3620 kg	(7982 lb)
Maximum platform load CE - AS	565 kg	(1246 lb)	-	-
Maximum platform load ANSI - CSA	-	-	565 kg	(1246 lb)
Recommended load capacity when extended	150 kg	(330 lb)	150 kg	(330 lb)
Manual lateral force at platform CE - AS	400 N	90 lbf	-	-
Manual lateral force at platform ANSI - CSA	-	-	445 N	100 lbf
Maximum number of people on the platform CE - AS	2	 Section C 4.1.1 Specific decals COMPACT 10RTE (COMPACT 2668RTE)	-	-
Maximum number of people on the platform ANSI - CSA	-	-	2	 Section C 4.1.1 Specific decals COMPACT 10RTE (COMPACT 2668RTE)
Power source			48 V	
Additional power source			285 Ah	
Maximum climbable slope			25 %	
Tyre type and/ or size			26 x 12 - 12	
Platform elevation time (when empty)			35 s	
Platform lowering time (when empty)			40 s	
Micro drive speed	0,8 km/h	(0,49 mph)	0,8 km/h	(0,49 mph)
Low drive speed	1,6 km/h	(0,99 mph)	1,6 km/h	(0,99 mph)
High drive speed	5,8 km/h	(3,6 mph)	5,8 km/h	(3,6 mph)
Hand vibration	<2,5 m/s ²	(98 in/s ²)	<2,5 m/s ²	(98 in/s ²)
Feet vibration	<0,5 m/s ²	(19 in/s ²)	<0,5 m/s ²	(19 in/s ²)
Noise emission level			< 70 dB (A)	

G - Technical specifications

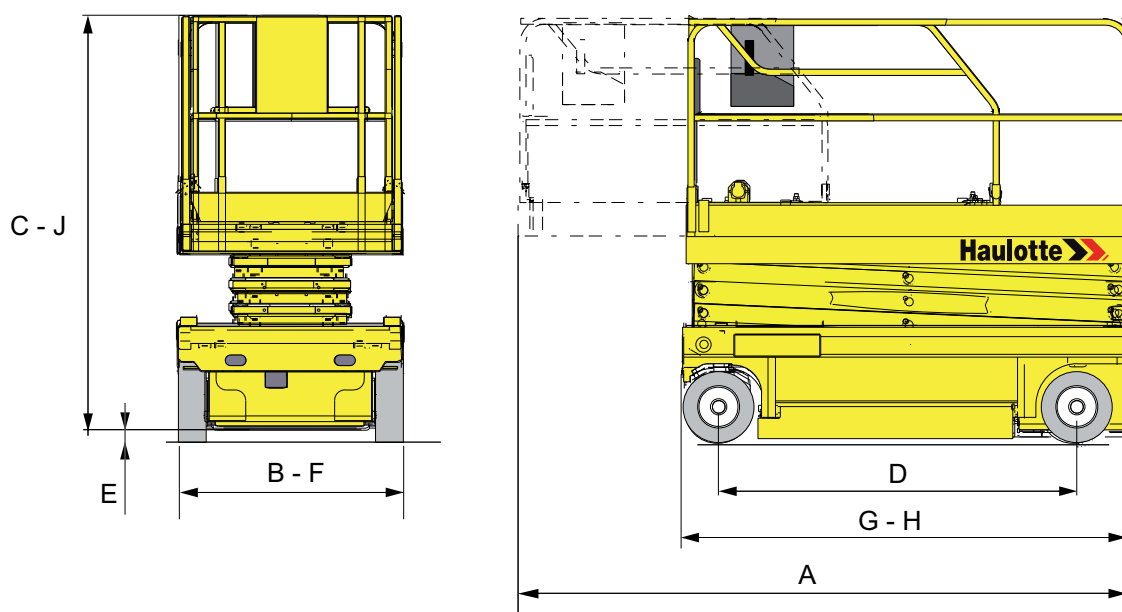
For - COMPACT 12RTE (COMPACT 3368RTE) - Technical specifications

Machine Characteristics	COMPACT 12RTE		COMPACT 3368RTE	
	Metric	Imperial	Metric	Imperial
Length of machine in stowed position	2,65 m	(8 ft8 in)	2,65 m	(8 ft8 in)
Overall width of machine	1,80 m	(0 ft71 in)	1,80 m	(0 ft71 in)
Platform length	2,50 m	(8 ft2 in)	2,50 m	(8 ft2 in)
Number of extensions	1			
Machine height	2,54 m	(8 ft4 in)	2,54 m	(8 ft4 in)
Maximum overall height of the machine in folded/stowed position guard-rail dismounted	1,68 m	(5 ft6 in)	1,68 m	(5 ft6 in)
Maximum ground clearance	0,25 m	(0 ft10 in)	0,25 m	(0 ft10 in)
Transport height	1,68 m	(5 ft6 in)	1,68 m	(5 ft6 in)
Maximum working height	12,15 m	(39 ft10 in)	12,15 m	(39 ft10 in)
Maximum platform height	10,15 m	(33 ft4 in)	10,15 m	(33 ft4 in)
Platform width	1,54 m	(5 ft10 in)	1,54 m	(5 ft10 in)
Outside turning radius	2,50 m	(8 ft2 in)	2,38 m	(7 ft9 in)
Inside turning radius	1,21 m	(4 ft0 in)	0,34 m	(1 ft1 in)
Distance between centres of the wheels	1,87 m	(6 ft2 in)	1,86 m	(6 ft1 in)
Rated slope CE - AS	3°		-	
Rated slope ANSI - CSA	-		0°	
Slope warning ANSI - CSA	-		2°	
Maximum wind speed allowed CE - AS	Indoor use : 0 km/h Outdoor use : 45 km/h	Indoor use : (0 mph) Outdoor use : (28 mph)	-	-
Total weight - Machine without stabilizers	3800 kg	(8379 lb)	3800 kg	(8379 lb)
Total weight - Machine with outriggers	4040 kg	(8908 lb)	4040 kg	(8908 lb)
Maximum platform load CE - AS	450 kg	(992 lb)	-	-
Maximum platform load ANSI - CSA	-	-	450 kg	(992 lb)
Recommended load capacity when extended	150 kg	(330 lb)	150 kg	(330 lb)
Manual lateral force at platform CE - AS	400 N	90 lbf	-	-
Manual lateral force at platform ANSI - CSA	-	-	445 N	100 lbf
Maximum number of people on the platform CE - AS	3		-	
	 Section C 4.1.1 Specific decals COMPACT 12RTE (COMPACT 3368RTE)		-	
Maximum number of people on the platform ANSI - CSA	-		3	
	-		 Section C 4.1.1 Specific decals COMPACT 12RTE (COMPACT 3368RTE)	
Power source	48 V			
Additional power source	285 Ah			
Maximum climbable slope	25 %			
Tyre type and/ or size	26 x 12 - 12			
Platform elevation time (when empty)	50 s			
Platform lowering time (when empty)	40 s			
Micro drive speed	0,8 km/h	(0,49 mph)	0,8 km/h	(0,49 mph)
Low drive speed	1,6 km/h	(0,99 mph)	1,6 km/h	(0,99 mph)
High drive speed	5,8 km/h	(3,6 mph)	5,8 km/h	(3,6 mph)
Hand vibration	<2,5 m/s ²	(98 in/s ²)	<2,5 m/s ²	(98 in/s ²)
Feet vibration	<0,5 m/s ²	(19 in/s ²)	<0,5 m/s ²	(19 in/s ²)
Noise emission level	< 70 dB (A)			

G - Technical specifications

2 - Overall dimensions

General diagram COMPACT 8 (COMPACT 2032E) - COMPACT 8W (COMPACT 2047E) - COMPACT 10N (COMPACT 2632E) - COMPACT 10 (COMPACT 2747E) - COMPACT 12 (COMPACT 3347E) - COMPACT 14 (COMPACT 3947E)



Overall dimension specifications

Marking	COMPACT 8 (COMPACT 2032E)		COMPACT 8W (COMPACT 2047E)	
	Mètre	Feet inch	Mètre	Feet inch
A	3,40	11 ft 1 in	3,40	11 ft 1 in
B	0,80	2 ft 7 in	1,20	3 ft 11 in
C	1,99	6 ft 6 in	2,14	7 ft
D	1,86	6 ft 1 in	1,86	6 ft 1 in
E	0,13	0 ft 5 in	0,13	0 ft 5 in
F x G	2,30 x 0,80	7 ft 6 in x 2 ft 7 in	2,30 x 1,20	7 ft 6 in x 3 ft 11 in
H	2,30	7 ft 6 in	2,30	7 ft 6 in
J	1,99	6 ft 6 in	2,14	7 ft

Overall dimension specifications

Marking	COMPACT 10N (COMPACT 2632E)		COMPACT 10 (COMPACT 2747E)	
	Mètre	Feet inch	Mètre	Feet inch
A	3,40	11 ft 1 in	3,40	11 ft 1 in
B	0,80	2 ft 7 in	1,20	3-11
C	2,18	7 ft 1 in	2,26	7 ft 5 in
D	1,86	6 ft 1 in	1,86	6 ft 1 in
E	0,13	0 ft 5 in	0,13	0 ft 5 in
F x G	2,30 x 0,80	7 ft 6 in x 2 ft 7 in	2,30 x 1,20	7 ft 6 in x 3 ft 11 in
H	2,30	7 ft 6 in	2,30	7 ft 6 in
J	2,18	7 ft 1 in	2,26	7 ft 5 in

G - Technical specifications

Overall dimension specifications

Marking	COMPACT 12 (COMPACT 3347E)		COMPACT 14 (COMPACT 3947E)	
	Mètre	Feet inch	Mètre	Feet inch
A	3,40	11 ft 1 in	3,40	11 ft 1 in
B	1,20	3 ft 11 in	1,20	3 ft 11 in
C	2,38	7 ft 9 in	2,50	7 ft 9 in
D	1,86	6 ft 1 in	1,86	6 ft 1 in
E	0,13	0 ft 5 in	0,13	0 ft 5 in
F x G	2,30 x 1,20	7 ft 1 in x 3 ft 11 in	2,30 x 1,20	7 ft 1 in x 3 ft 11 in
H	2,30	7 ft 6 in	2,30	7 ft 6 in
J	2,38	7 ft 9 in	2,50	7 ft 9 in

A

B

C

D

E

F

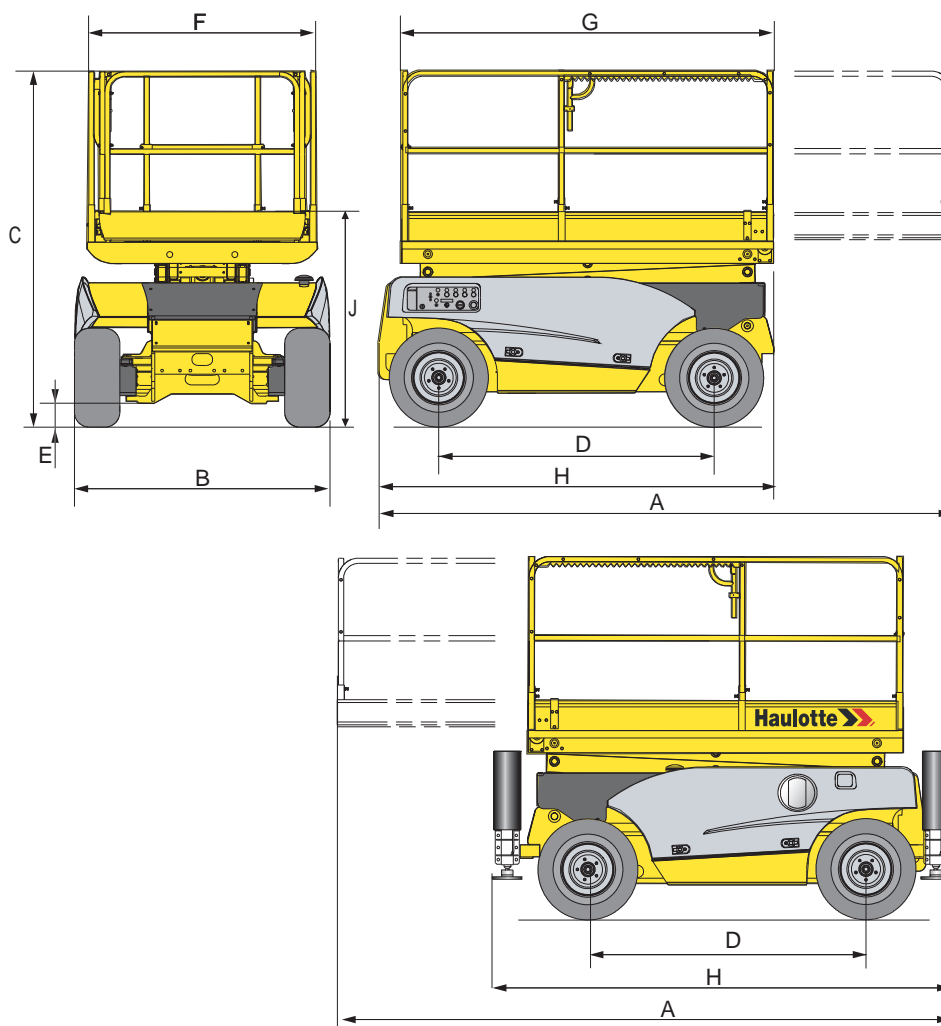
G

H

I

G - Technical specifications

General diagram COMPACT 10RTE (COMPACT 2668RTE) - COMPACT 12RTE (COMPACT 3368RTE)



Overall dimension specifications

Marking	COMPACT 10RTE (COMPACT 2668RTE)		COMPACT 12RTE (COMPACT 3368RTE)	
	Mètre	Feet inch	Mètre	Feet inch
A	3,85	12 ft 7 in	3,85	12 ft 7 in
B	1,80	5 ft 10 in	1,80	5 ft 10 in
C	2,42	7 ft 11 in	2,54	8 ft 4 in
D	1,87	6 ft 1 in	1,87	6 ft 1 in
E	0,21	0 ft 8 in	0,21	0 ft 8 in
F x G	2,50 x 1,54	8 ft 2 in x 5 ft 0 in	2,50 x 1,54	8 ft 2 in x 5 ft 0 in
H	2,65	8 ft 8 in	2,65	8 ft 8 in
J	2,42	7 ft 11 in	2,54	8 ft 4 in

G - Technical specifications

If outriggers option : Overall dimension specifications

Marking	COMPACT 10RTE (COMPACT 2668RTE)		COMPACT 12RTE (COMPACT 3368RTE)	
	Mètre	Feet inch	Mètre	Feet inch
A	3,85	12 ft 7 in	3,85	12 ft 7 in
B	1,80	5 ft 10 in	1,80	5 ft 10 in
C	2,42	7 ft 11 in	2,54	8 ft 4 in
D	1,87	6 ft 1 in	1,87	6 ft 1 in
E	0,21	0 ft 8 in	0,21	0 ft 8 in
F x G	2,50 x 1,54	8 ft 2 in x 5 ft 0 in	2,50 x 1,54	8 ft 2 in x 5 ft 0 in
H	3,06	10 ft 0 in	3,06	10 ft 0 in
J	2,42	7 ft 11 in	2,54	8 ft 4 in

A

B

C

D

E

F

> G

H

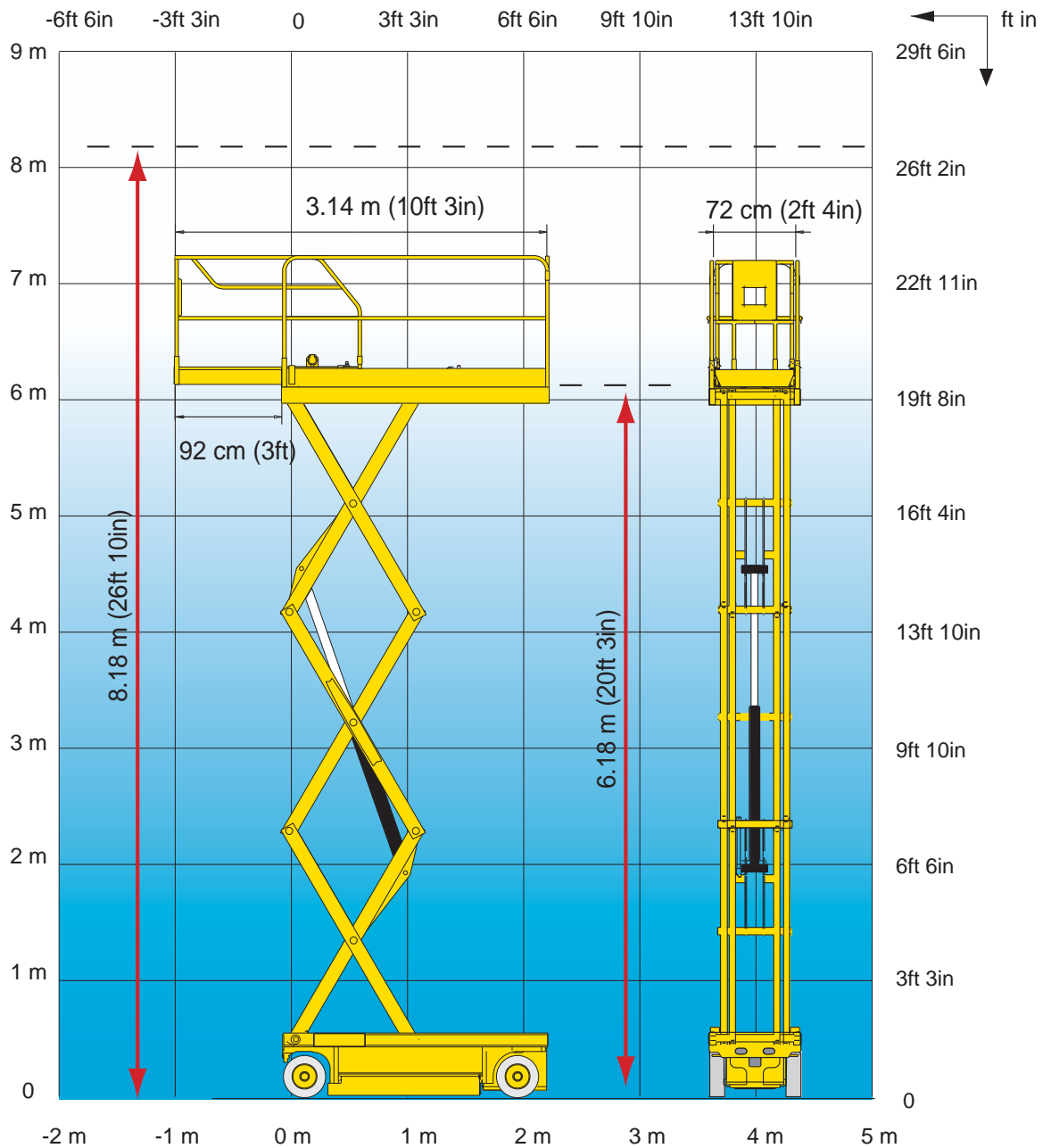
I

G - Technical specifications

3 - Working area / Range of motion

3.1 - MACHINE C8 (COMPACT 2032E)

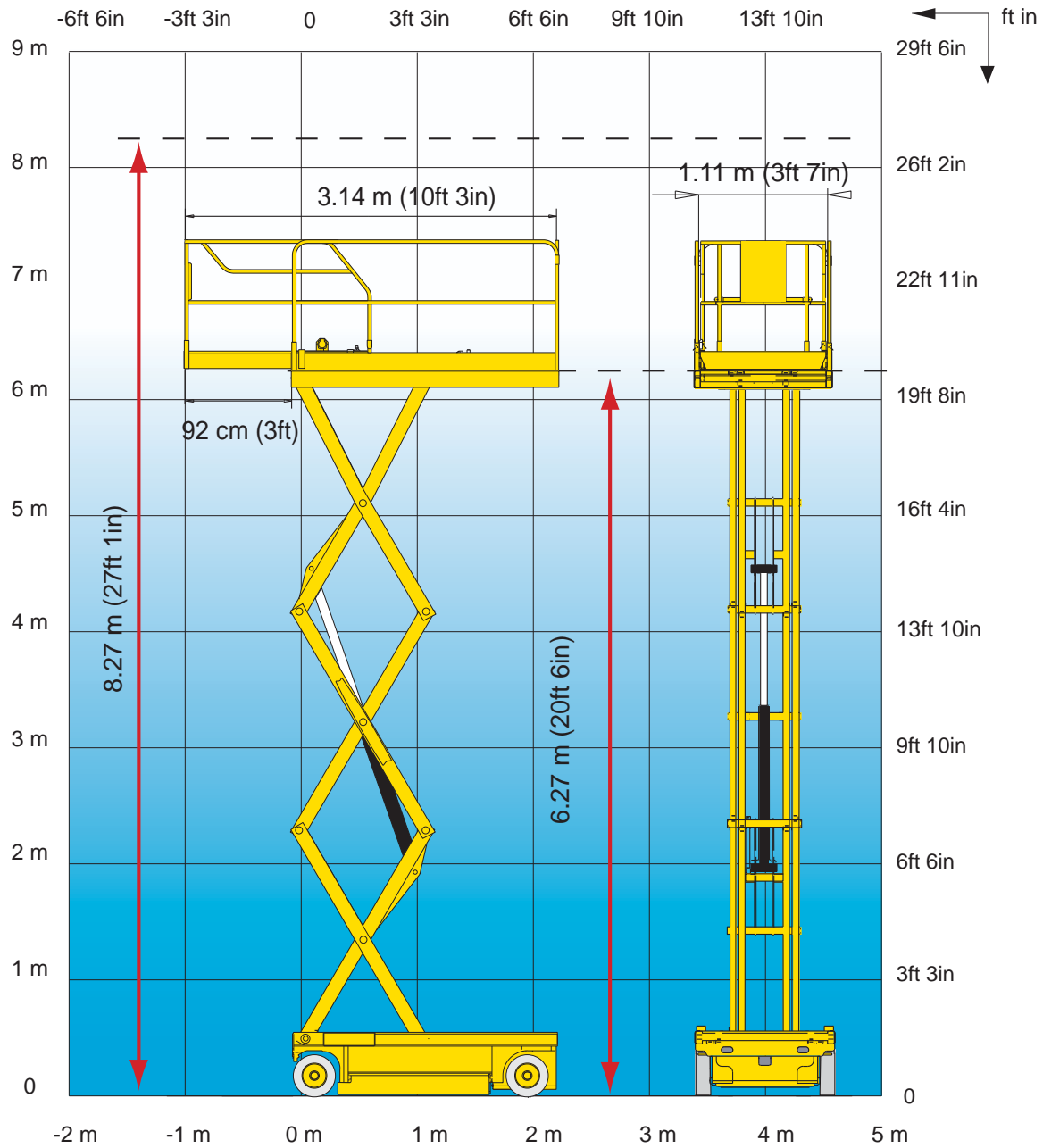
Working area / Range of motion



G - Technical specifications

3.2 - MACHINE C8W (COMPACT 2047E)

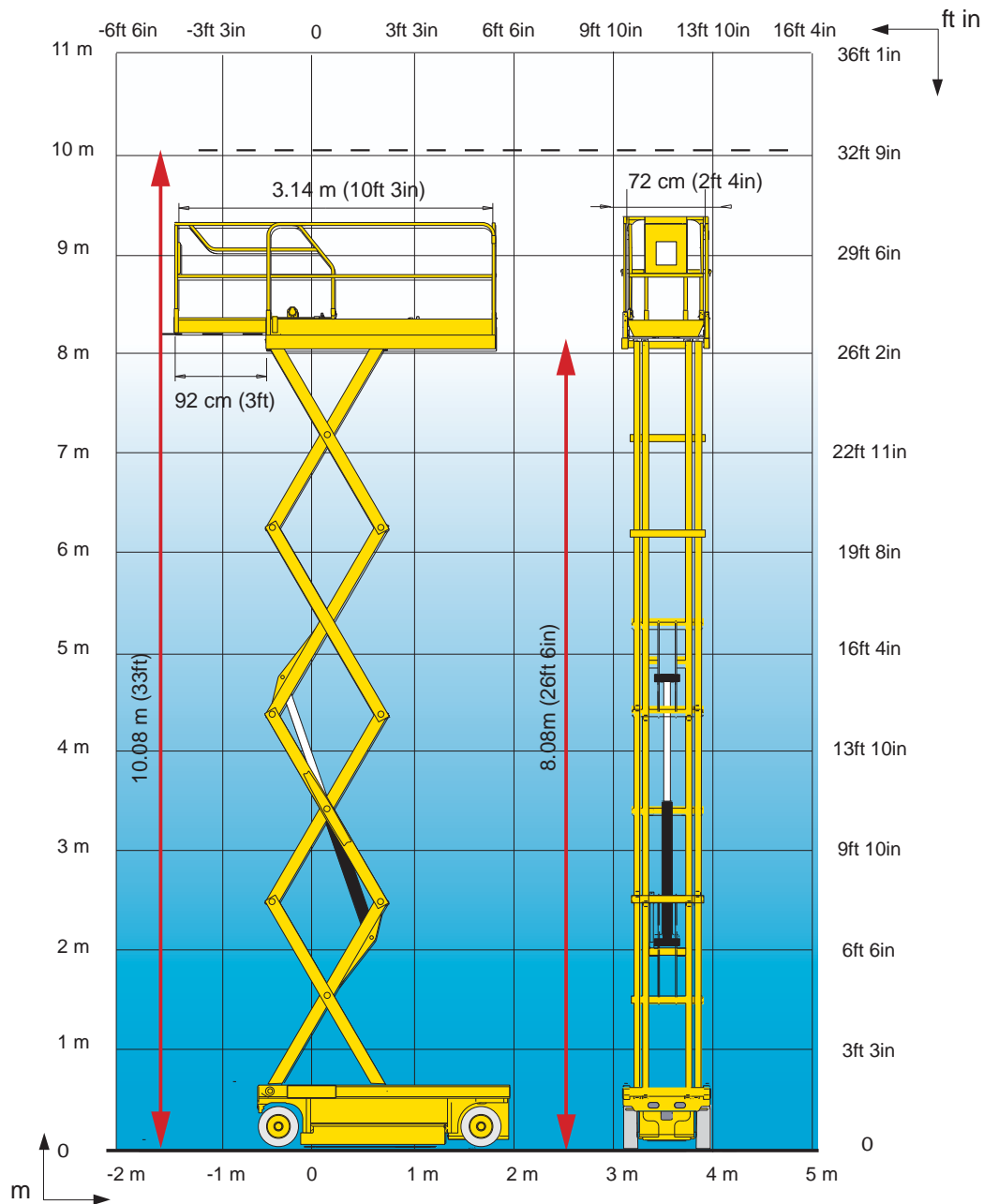
Working area / Range of motion



G - Technical specifications

3.3 - MACHINE C10N (COMPACT 2632E)

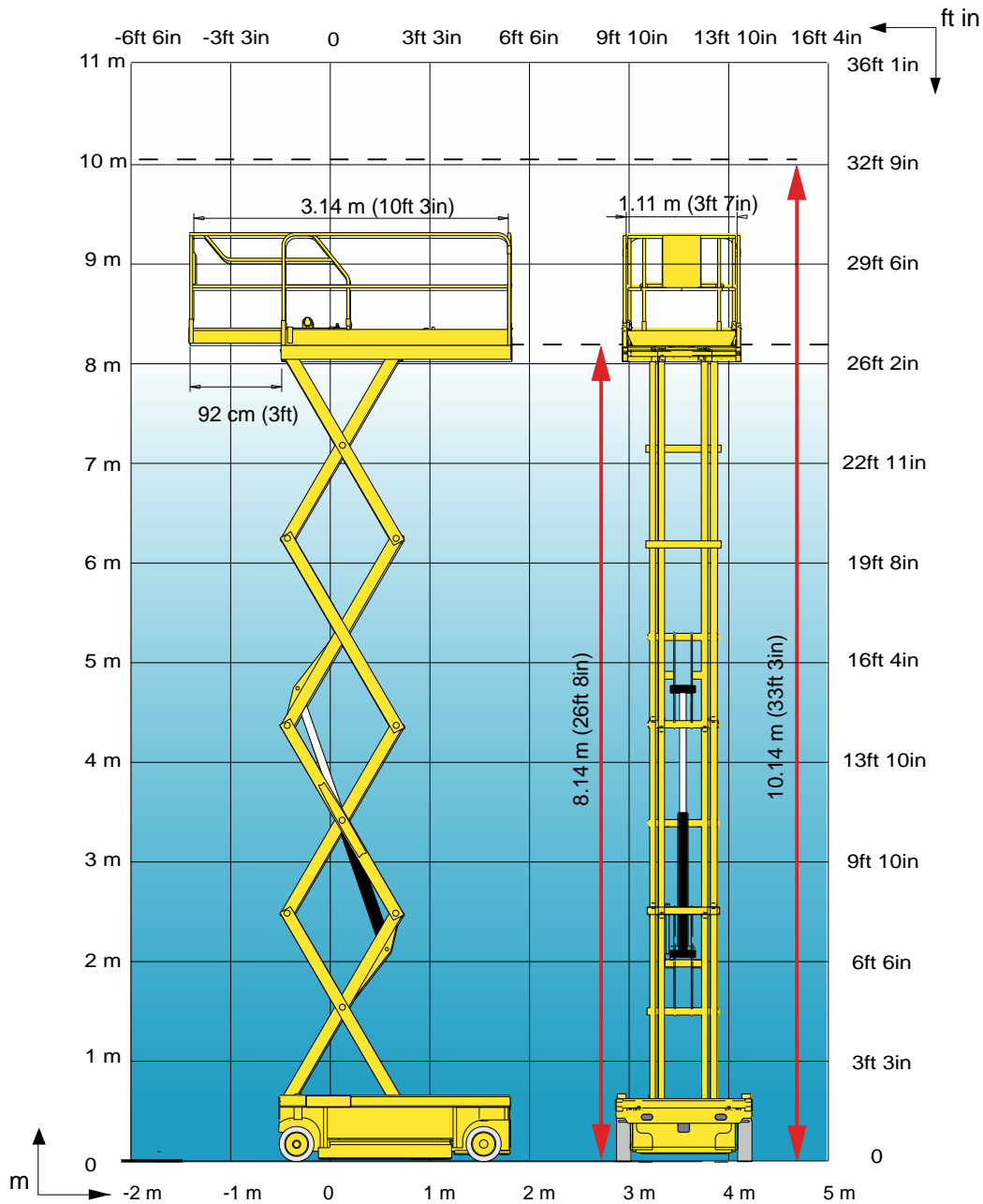
Working area / Range of motion



G - Technical specifications

3.4 - MACHINE C10 (COMPACT 2747E)

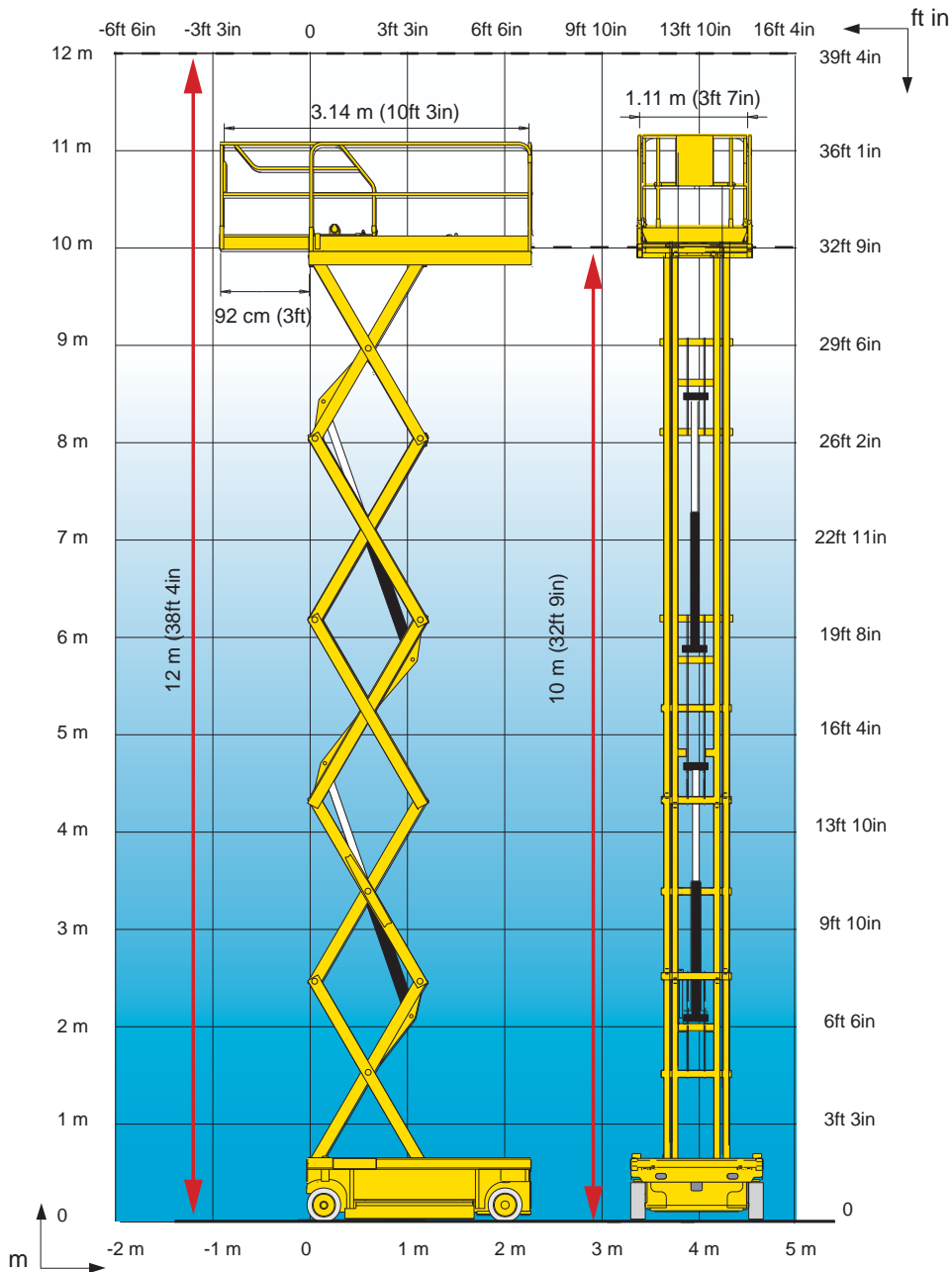
Working area / Range of motion



G - Technical specifications

3.5 - MACHINE C12 (COMPACT 3347E)

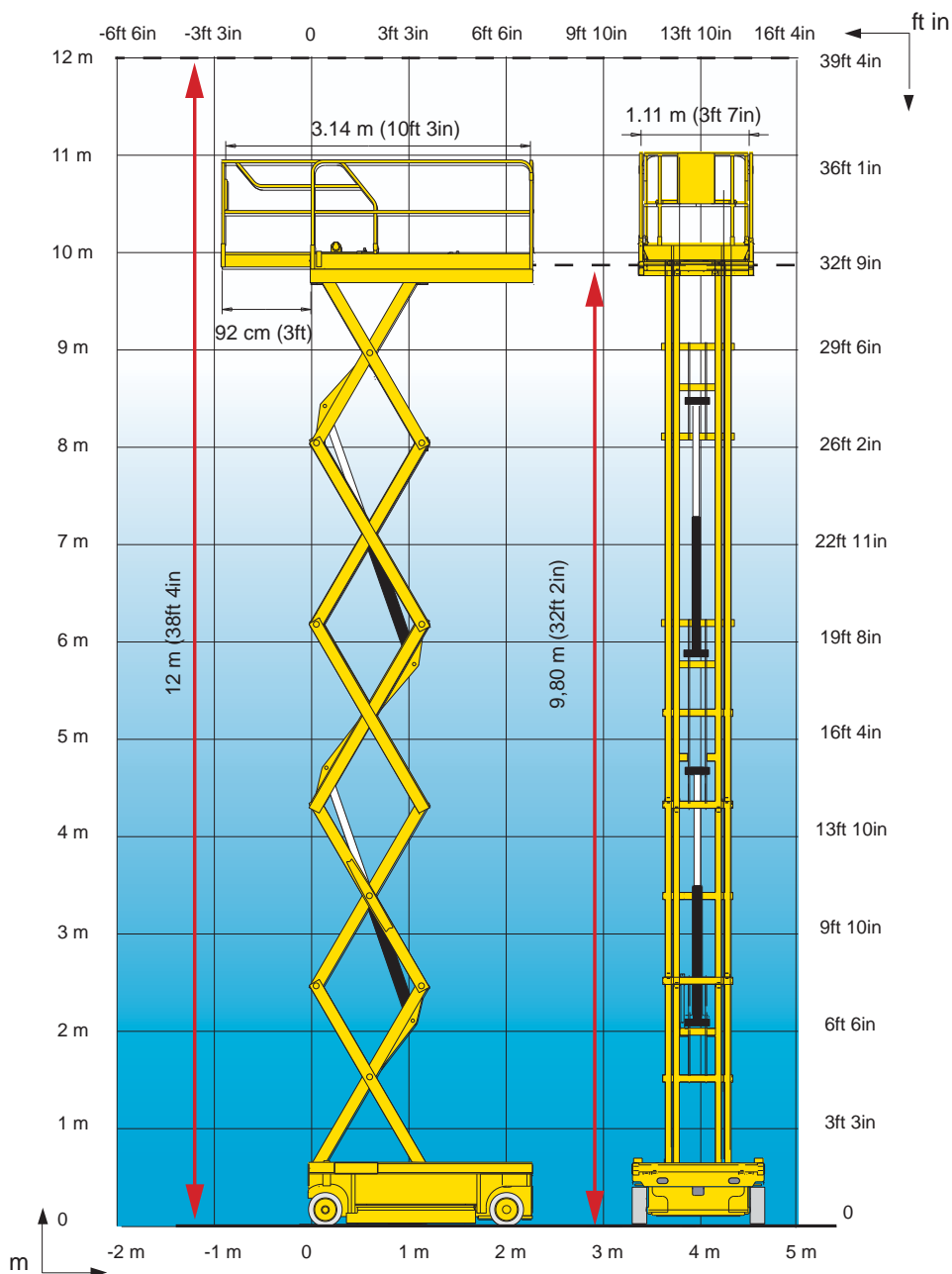
Working area / Range of motion



G - Technical specifications

3.6 - MACHINE C12 (COMPACT 3347E) (JAPAN)

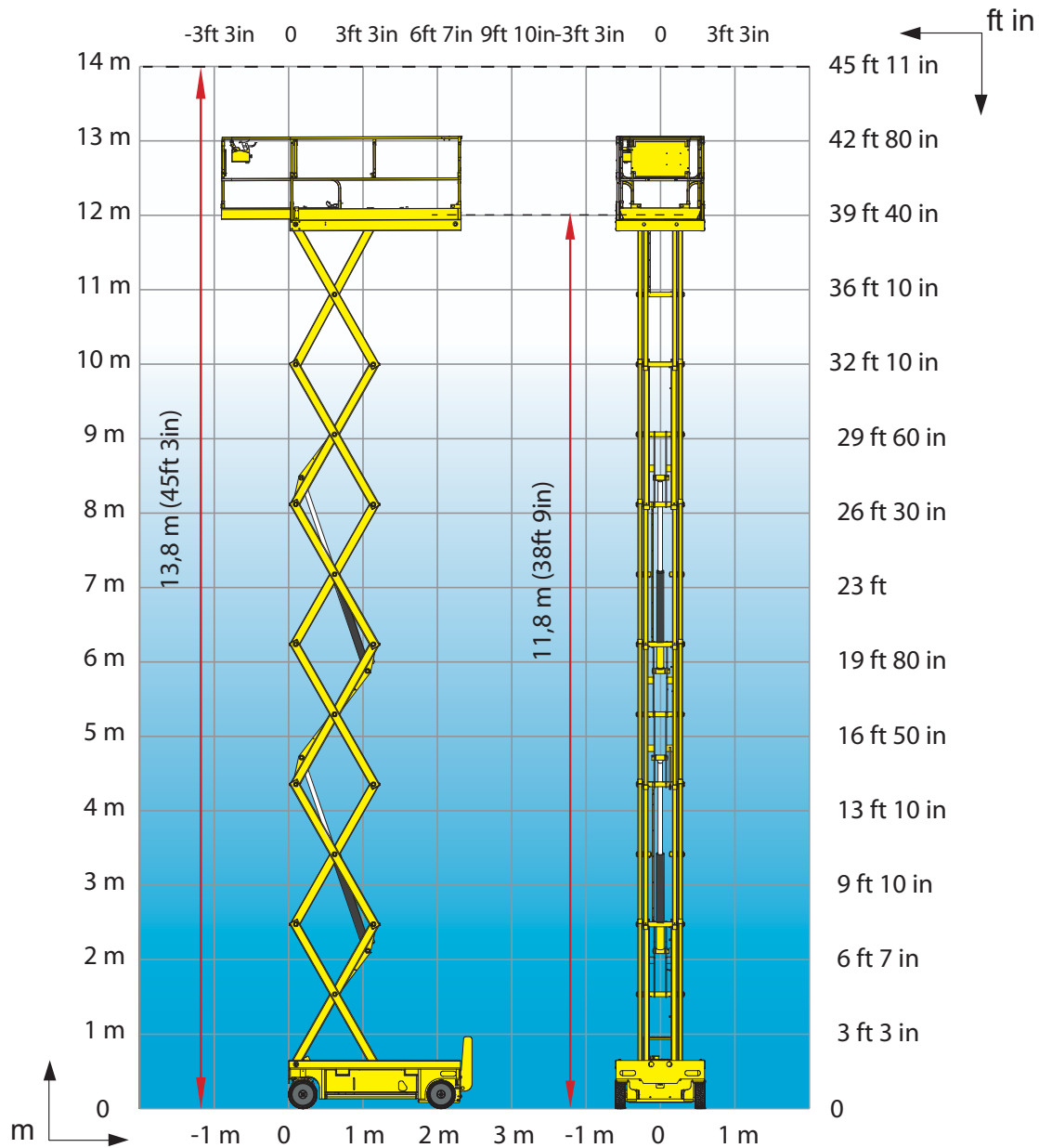
Working area / Range of motion



G - Technical specifications

3.7 - MACHINE C14 (COMPACT 3947E)

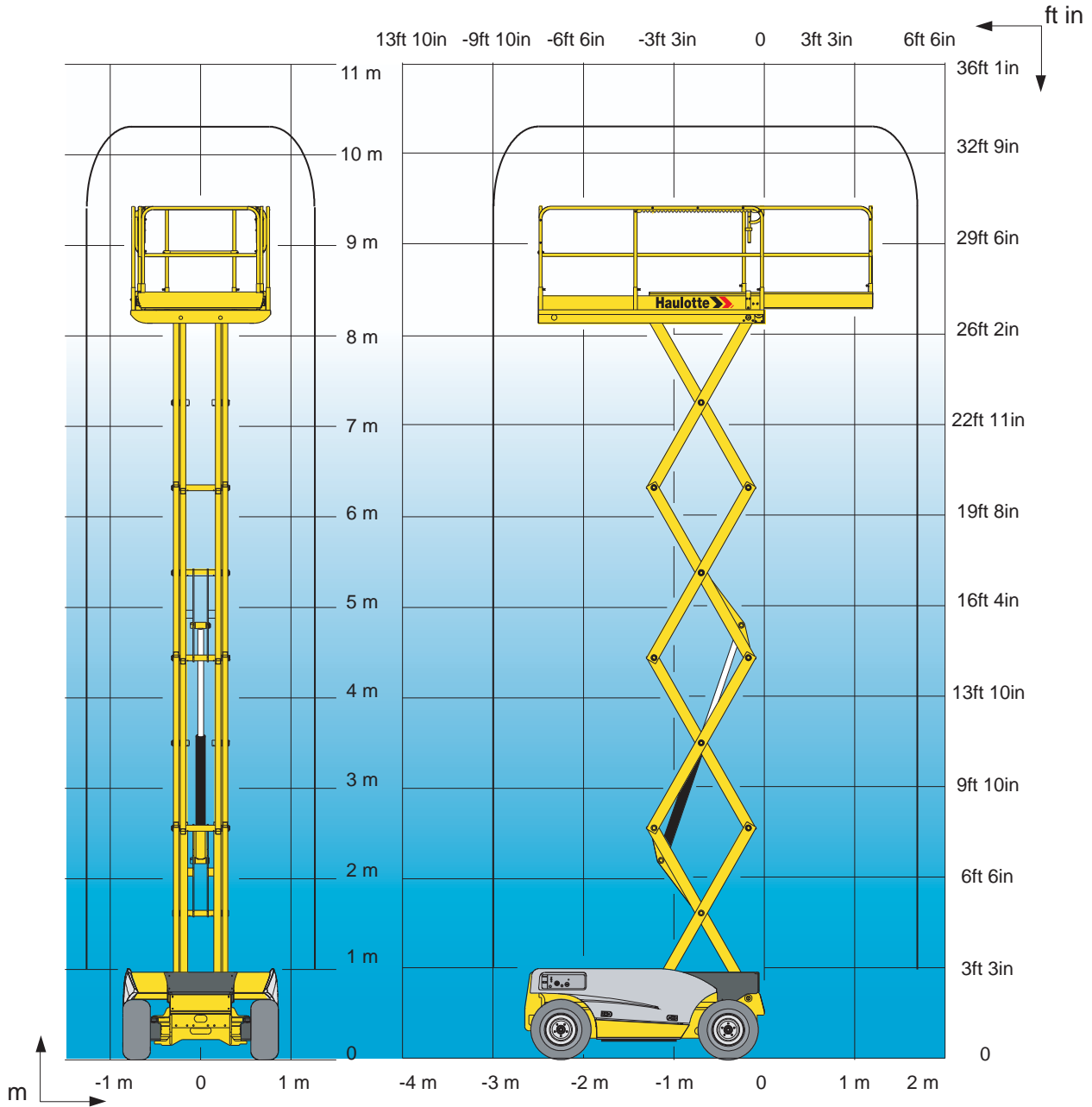
Working area / Range of motion



G - Technical specifications

3.8 - MACHINE COMPACT 10RTE (COMPACT 2668RTE)

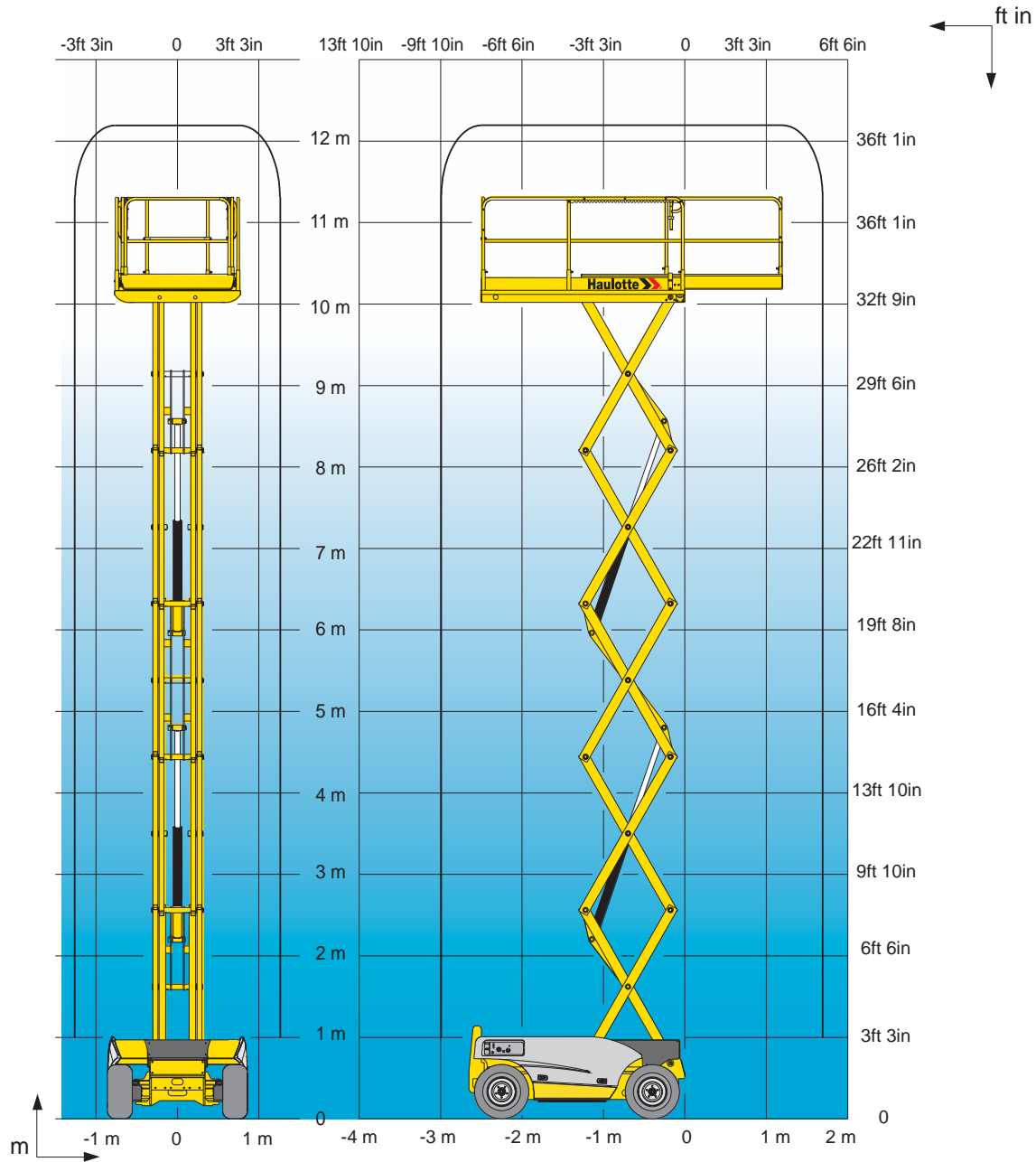
Working area / Range of motion



G - Technical specifications

3.9 - MACHINE COMPACT 12RTE (COMPACT 3368RTE)

Working area / Range of motion



G - Technical specifications

4 - AS - CE standard specificities

The following tests must be performed after :

- A major technical intervention.
- An accident due to major component failure on the machine.



- The following tests must be performed by a qualified person in secure conditions.
- The results must be fully recorded.

To avoid the machine tipping over, it must be secured during the test (by a chain or anchorage point).

4.1 - OVERLOAD TEST

Load table

Machine	Test load	
	Pound (lb)	Kilogramme (kg)
COMPACT 8 (COMPACT 2032E) COMPACT 14 (COMPACT 3947E)	965	437,5
COMPACT 8W (COMPACT 2047E) COMPACT 10 (COMPACT 2747E) COMPACT 12RTE (COMPACT 3368RTE)	1240	562,5
COMPACT 10N (COMPACT 2632E)	634	287,5
COMPACT 10N-1 (NA)	331	150
COMPACT 12 (COMPACT 3347E)	827	375
COMPACT 10RTE (COMPACT 2668RTE)	1557	706,25



The machine must not show any signs of permanent distortion.

Tests are performed by a qualified person under optimal conditions and results must be fully recorded.

4.2 - FUNCTIONAL TEST

Functional tests have confirmed the following: :

- The machine has performed all movements without jerking, while carrying the nominal load.
- All security systems are operating correctly.
- Maximum authorized operating speeds are not exceeded.

G - Technical specifications

4.3 - STABILITY TEST

The stability test proves that the machine is stable in an unfavourable position. The moment when the machine tips is calculated by combining loads in the machine's most unfavourable position (load W applied over distance L).

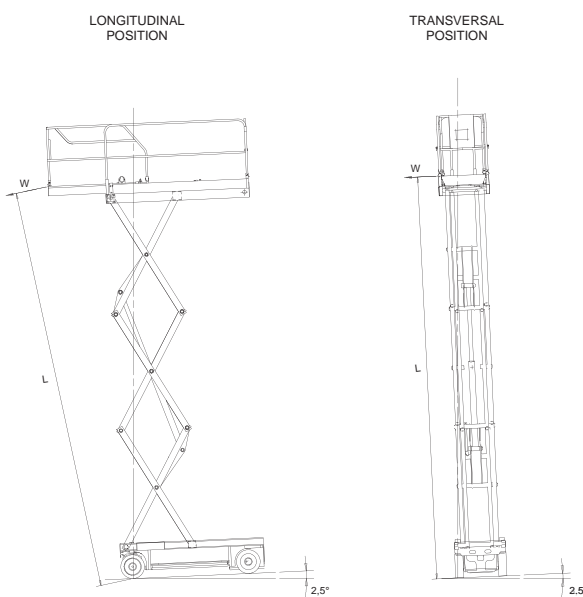
Stability table for COMPACT 8 (COMPACT 2032E)

	T (°)	W		L		Moment of tipping over
		Pound (lb)	Kilogramme (kg)	Feet inch (ft in)	Mètre (m)	Déca Newton Mètre (DaN.m)
Horizontal (1)	2,5	154	70	24 ft 1 in	7.33	516
Vertical (2)	2,5	121	55	24 ft 6 in	7.459	410

Stability table for COMPACT 8 CU (NA)

	T (°)	W		L		Moment of tipping over
		Pound (lb)	Kilogramme (kg)	Feet inch (ft in)	Mètre (m)	Déca Newton Mètre (DaN.m)
Horizontal (1)	2,5	240	109	24 ft 1 in	7.33	800
Vertical (2)	2,5	150	68	24 ft 6 in	7.459	507

Stability for COMPACT 8 (COMPACT 2032E) - COMPACT 8 CU

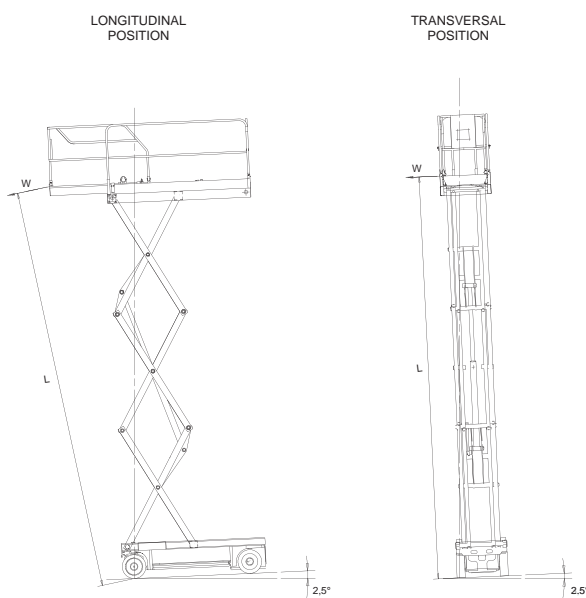


G - Technical specifications

Stability table for C8W (COMPACT 2047E)

	T (°)	W		L		Moment of tipping over
		Pound (lb)	Kilogramme (kg)	Feet inch (ft in)	Mètre (m)	Déca Newton Mètre (DaN.m)
Horizontal (1)	3,5	265	120	25 ft 2 in	7,68	925
Vertical (2)	3,5	247	112	24 ft 6 in	7,46	840

Stability for C8W (COMPACT 2047E)



G - Technical specifications

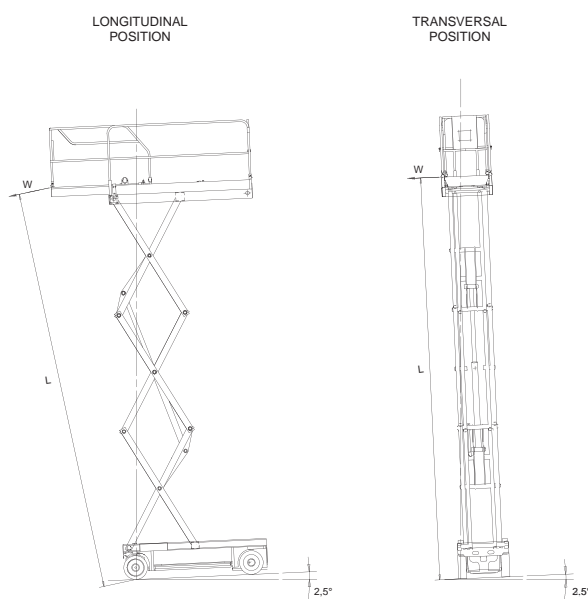
Stability table for Compact 10N (COMPACT 2632E)

	T (°)	W		L		Moment of tipping over
		Pound (lb)	Kilogramme (kg)	Feet inch (ft in)	Mètre (m)	Déca Newton Mètre (DaN.m)
Horizontal (1)	2,5	176	80	30 ft 7 in	9.32	752
Vertical (2)	2,5	126	57	30 ft 0 in	9.45	543

Stability table for COMPACT 10N-1 (NA)

	T (°)	W		L		Moment of tipping over
		Pound (lb)	Kilogramme (kg)	Feet inch (ft in)	Mètre (m)	Déca Newton Mètre (DaN.m)
Horizontal (1)	2,5	154	70	30 ft 7 in	9.32	650
Vertical (2)	2,5	150	68	30 ft 0 in	9.45	644

Stability for COMPACT 10N (COMPACT 2632E) - COMPACT 10N-1

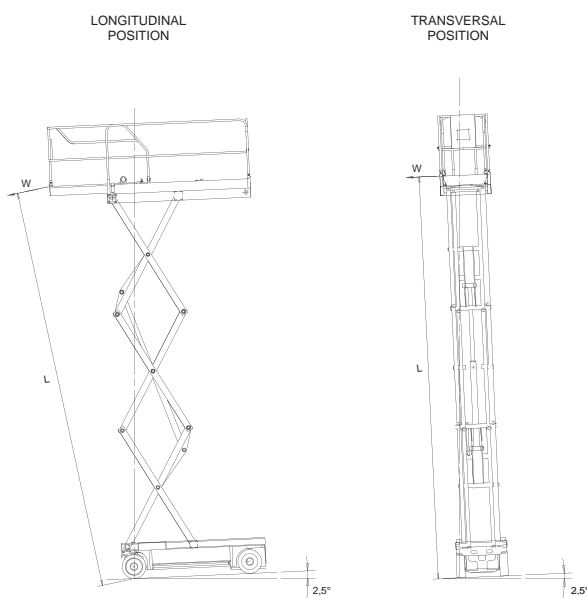


G - Technical specifications

Stability table for COMPACT 10 (COMPACT 2747E)

	T (°)	W		L		Moment of tipping over
		Pound (lb)	Kilogramme (kg)	Feet inch (ft in)	Mètre (m)	Déca Newton Mètre (DaN.m)
Horizontal (1)	2,5	234	106	30 ft 7 in	9.32	997
Vertical (2)	2,5	216	98	31 ft 0 in	9.45	928

Stability for COMPACT 10 (COMPACT 2747E)

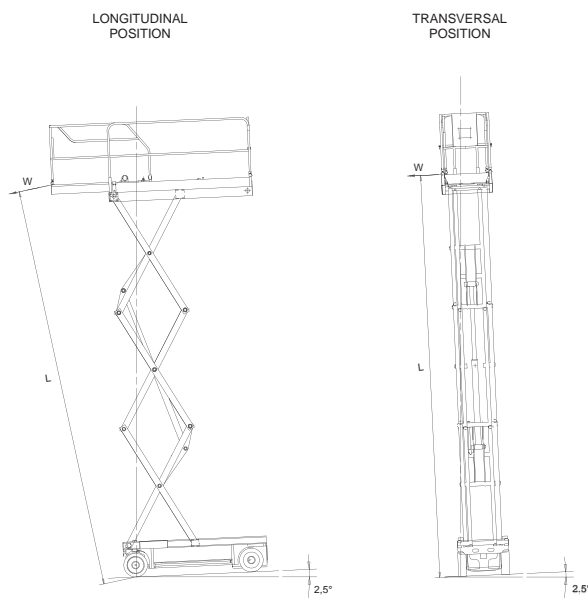


G - Technical specifications

Stability table for COMPACT 12 (COMPACT 3347E)

	T (°)	W		L		Moment of tipping over
		Pound (lb)	Kilogramme (kg)	Feet inch (ft in)	Mètre (m)	Déca Newton Mètre (DaN.m)
Horizontal (1)	2,5	181	82	37 ft 7 in	11.45	938
Vertical (2)	2,5	139	63	37 ft 3 in	11.35	713

Stability for COMPACT 12 (COMPACT 3347E)

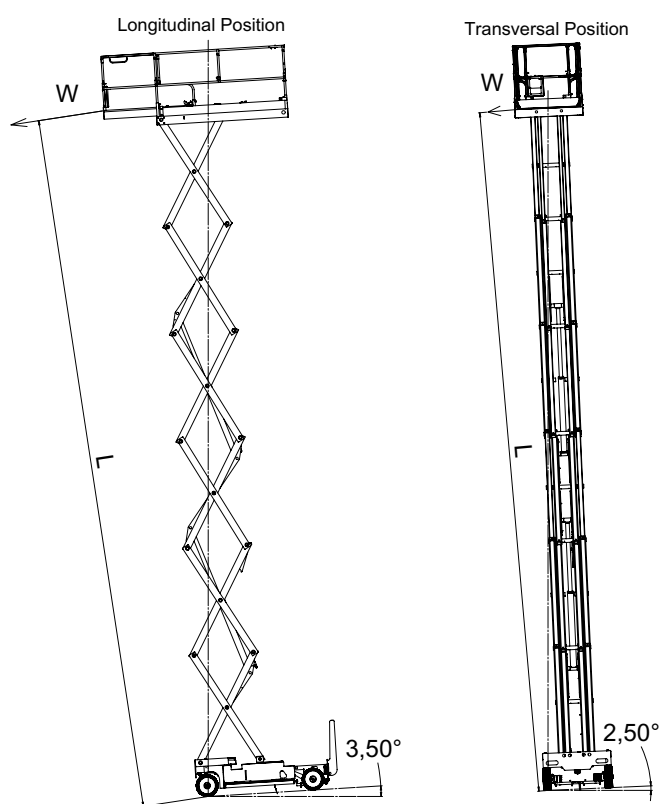


G - Technical specifications

Stability table for COMPACT 14 (COMPACT 3947E)

	T (°)	W		L		Moment of tipping over
		Pound (lb)	Kilogramme (kg)	Feet inch (ft in)	Mètre (m)	Déca Newton Mètre (DaN.m)
Horizontal (1)	3,5	159	72	42 ft 8 in	13.01	940
Vertical (2)	2,5	123	56	42 ft 4 in	12.9	721

Stability for COMPACT 14 (COMPACT 3947E)

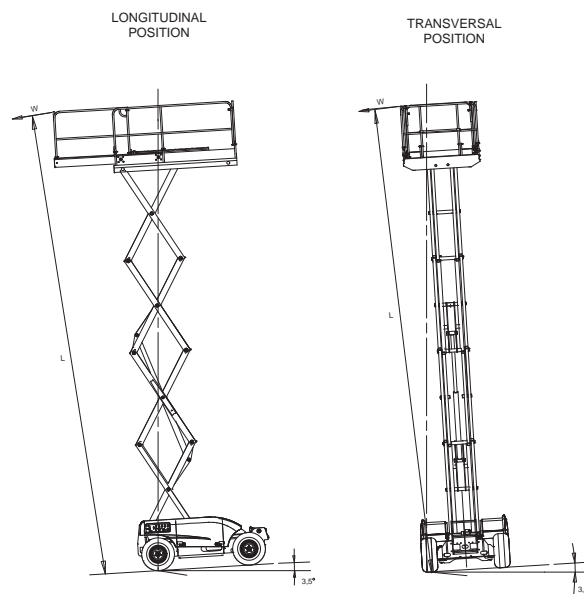


G - Technical specifications

Stability table for COMPACT 10RTE (COMPACT 2668RTE)

	T (°)	W		L		Moment of tipping over
		Pound (lb)	Kilogramme (kg)	Feet inch (ft in)	Mètre (m)	Déca Newton Mètre (DaN.m)
Horizontal (1)	3,5	362	164	31 ft 10 in	9,70	1592
Vertical (2)	3,5	311	141	31 ft 6 in	9,60	1356

Stability for COMPACT 10RTE (COMPACT 2668RTE)

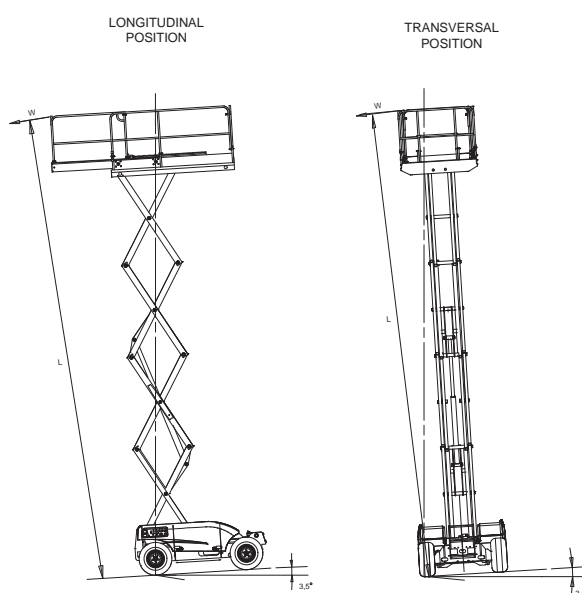


G - Technical specifications

Stability table for COMPACT 12RTE (COMPACT 3368RTE)

	T (°)	W		L		Moment of tipping over
		Pound (lb)	Kilogramme (kg)	Feet inch (ft in)	Mètre (m)	Déca Newton Mètre (DaN.m)
Horizontal (1)	3,5	340	154	37 ft 9 in	11,50	1772
Vertical (2)	3,5	304	138	37 ft 5 in	11,40	1582

Stability for COMPACT 12RTE (COMPACT 3368RTE)



See paragraph 1.12.2 of the AS1418.10 standard for test details.

The machine must return to a stable state without tipping over.

G - Technical specifications

5 - Declaration of conformity



CE Declarations of Conformity only apply to machines that are certified for the European market.

Declaration of conformity - Electric platforms

DECLARATION DE CONFORMITE CE

(certificate of conformity with CE-directives)

Nom et adresse du constructeur ou son représentant autorisé dans la communauté :
Name and address of manufacturer or their authorised agents within the European Community

HAULOTTE Group Siège Social
La Péronnière
BP 09
42152 L'HORME Cedex
FRANCE

HAULOTTE GROUP
Usine de _____

Déclare que la machine décrite ci-dessous :
(Declares that the technical installation described below)

Nacelle ou Plate-forme mobile élévatrice de personnes

(Elevating work Platform)

Machine au nom commercial *(Machine with the commercial name)* _____,
Conforme au type *(in compliance with the type)* _____
Numéro de série *(Serial number)*: _____

Se conforme aux dispositions de la directive machine 2006/42/CE.
(Conforms to the provisions set out in the EC Machinery Directive 2006/42/EC)

N° de certificat *(Certificate no)*: _____

Cette machine est identique au modèle ayant fait l'objet d'un examen CE de type par l'organisme notifié :
(This machinery is identical to the model that was tested in an EC type-examination by the appointed body)

Organisme certifié *(Authorised certification body)* :

_____ n° _____

- Se conforme également aux dispositions de la directive 2004/108/CE concernant la compatibilité électromagnétique.
(is in accordance with the provisions contained in EEC Directive no. 2004/108/CE on electromagnetic compatibility)
- Se conforme aux principales exigences des normes harmonisées suivantes : EN 280 et EN 954.
(also fulfils the principal requirements of the following harmonised standards: EN 280 and EN 954)

Fait à L'Horme le :

Directeur Division _____ /Managing Director, _____ Division

Signature

Cette déclaration est conforme aux exigences de l'annexe II-a de la directive 2006/42/CE. Toute modification de la machine décrite ci-dessus rendrait cette déclaration caduque.
This declaration conforms with the requirements of annex II-A of the directive 2006/42/EEC. Any modification to the above described machine violates the validity of this declaration.

G - Technical specifications

Declaration of conformity - Thermal platforms

DECLARATION DE CONFORMITE CE

(certificate of conformity with EC directives)

Nom et adresse du constructeur ou son représentant autorisé dans la communauté :
Name and address of manufacturer or their authorised agents within the European Community

HAULOTTE Group Siège Social
La Péronnière
BP 09
42152 L'HORME Cedex
FRANCE

HAULOTTE GROUP
Usine de _____

Déclare que la machine décrite ci-dessous :
(Declares that the technical installation described below)

Nacelle ou Plate-forme mobile élévatrice de personnes

(Elevating work Platform)

Machine au nom commercial (Machine with the commercial name) _____,
Conforme au type (in compliance with the type) _____
Numéro de série (Serial number): _____

Se conforme aux dispositions de la directive machine 2006/42/CE.
(Conforms to the provisions set out in the EC Machinery Directive 2006/42/EC)

N° de certificat (Certificate no): _____

Cette machine est identique au modèle ayant fait l'objet d'un examen CE de type par l'organisme notifié :
(This machinery is identical to the model that was tested in an EC type-examination by the appointed body)

Organisme certifié (Authorised certification body) :

_____ n° _____

- Se conforme également aux dispositions de la directive 2000/14/CE concernant l'émission de bruit par l'équipement dans l'environnement en utilisation extérieure
(is also in accordance with the clauses contained in the EC Outdoor Noise Directive (2000/14/EC))
 - Méthode de mesure (Measuring methods) Annexe III-B
 - LwA, Niveau de puissance acoustique garantie (LWA, sound level guaranteed) _____ dB
 - LwA, Niveau de puissance acoustique minimum/maximum (LWA, maxi sound level) _____/____ dB
- Se conforme également aux dispositions de la directive 2004/108/CE concernant la compatibilité électromagnétique.
(is in accordance with the provisions contained in EEC Directive no. 2004/108/CE on electromagnetic compatibility)
- Se conforme aux principales exigences des normes harmonisées suivantes : EN 280 et EN 954.
(also fulfils the principal requirements of the following harmonised standards: EN 280 and EN 954)

Fait à L'Horme le :

Directeur Division _____ /Managing Director, _____ Division

Signature

Cette déclaration est conforme aux exigences de l'annexe II-a de la directive 2006/42/CE. Toute modification de la machine décrite ci-dessus rendrait cette déclaration caduque.
This declaration conforms with the requirements of annex II-A of the directive 2006/42/EEC. Any modification to the above described machine violates the validity of this declaration.

G - Technical specifications



Notes

H - Intervention register

1 - Intervention register

In order to benefit from the HAULOTTE® guarantee, each maintenance or repair operation must be entered in the INTERVENTION REGISTER, which can be found at the end of the maintenance book delivered with your machine.

Intervention register

H
- REGISTRE D'INTERVENTION

REGISTRE D'INTERVENTION HAULOTTE SERVICE

Date	Nature de l'intervention	Nbre heures	Intervenant	N° intervention Haulotte service

MODELE

